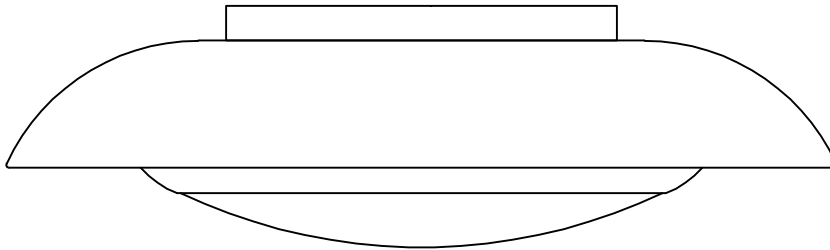




**PRODUCT NAME: Iris**  
**ITEM NUMBER:35074**

**Please consult your electrician for hanging fixture and wiring.**



**The fixture is designed to dim with a standard Triac forward phase dimmer. Dimming levels will vary by dimmer.**

**Below is a list of recommended dimmers:**

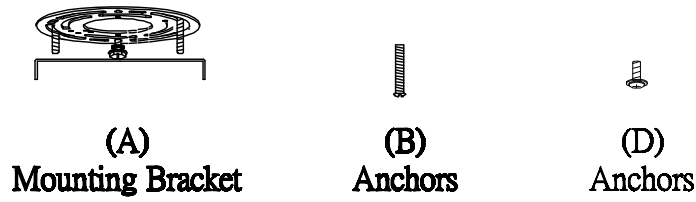
- Lutron MACL-153M**
- Lutron DVL-153P**
- Lutron SCL-153P**
- Leviton IPL06-10Z**
- Leviton 6674-POW**

**Due to inrush current wattage should not exceed 150 watts of product for a 600 watt dimmer.**

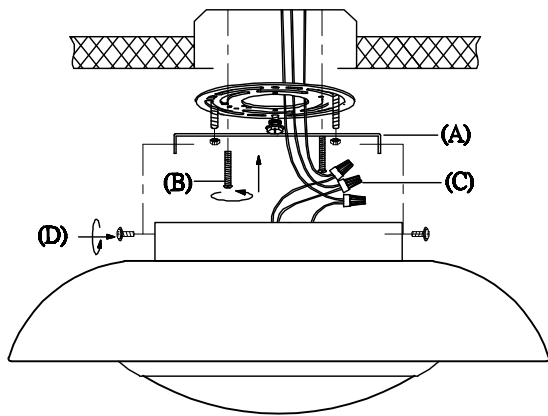
**Warning! Wires need to be connected to driver found in canopy and should not be connected directly to power source or a short may occur.**

**Bulb (included): 1xLED 26.4W**

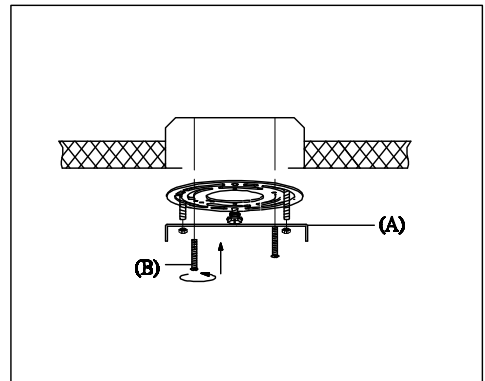
**IMPORTANT: Turn off the power at the main fuse or circuit breaker box before starting installation**



**Locate all hardware & components before discarding packaging**

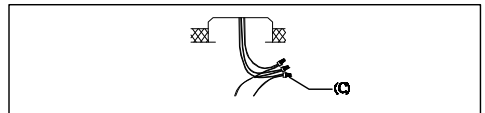


1.)



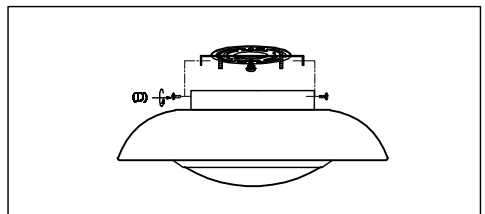
**Step.1: Remove mounting bracket (A) from fixture and install to electrical box.**

2.)



**Step.2: Wire fixture to wires (C) in outlet box. Copper wire is for Ground.**

3.)



**Step.3: Adjust wire length to desired mounting height, and tighten strain relief screws to secure. Install fixture to bracket and tighten finials (D) at the ends of the canopy to secure.**

**Cleaning & Care:**

Clean with soft cloth and a mild detergent.  
Do not use abrasive cleaner.