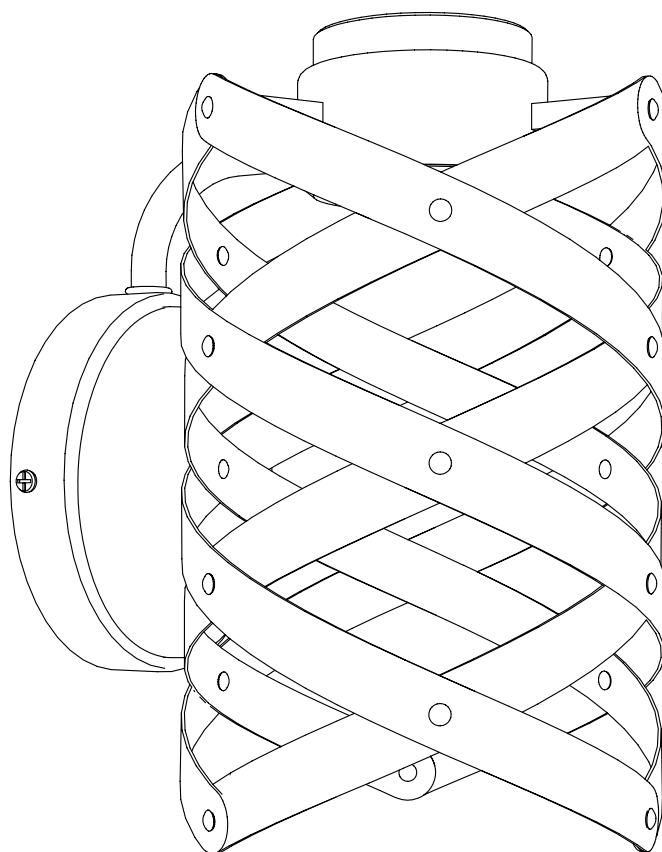




PRODUCT NAME: WEAVE

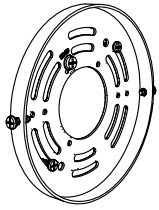
ITEM NUMBER: 35051BZGTGLD

Please consult your electrician for hanging fixture and wiring.

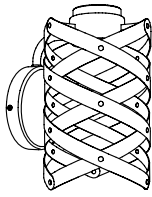


LED 1X11W (Bulb included)

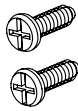
IMPORTANT: Turn off the power at the main fuse or circuit breaker box before starting installation.



Mounting Strap (A)

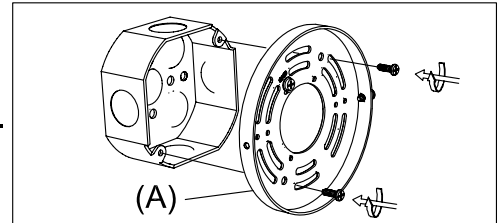
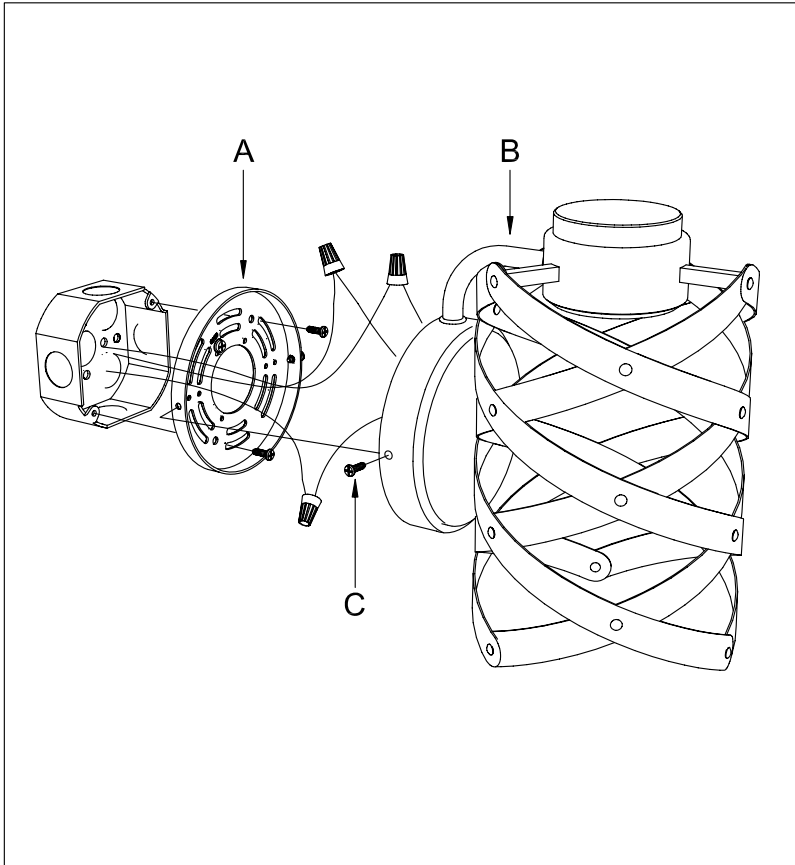


Body (B)



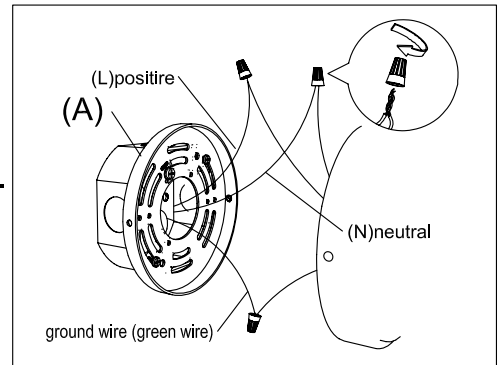
Screw (C)

Locate all hardware & components before discarding packaging



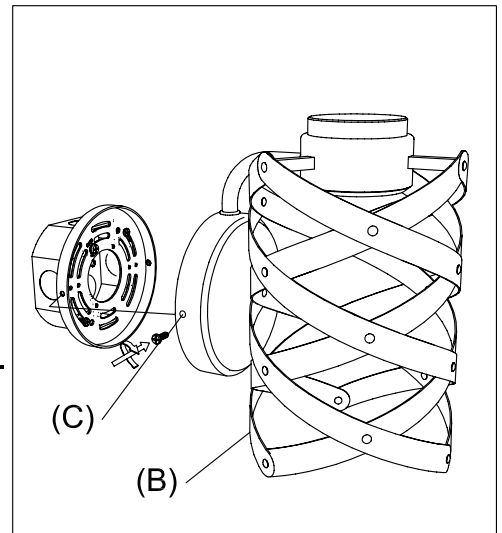
1).

Step.1: Remove mounting bracket (A) from fixture and install to electrical box.



2).

Step.2: Wire fixture to wires in outlet box. Green wire is fo Ground.



3).

Step.3: Install body (B) to the outlet box and secure with screw(C).

Cleaning & Care:

Clean with soft cloth and a mild detergent.
Do not use abrasive cleaner.