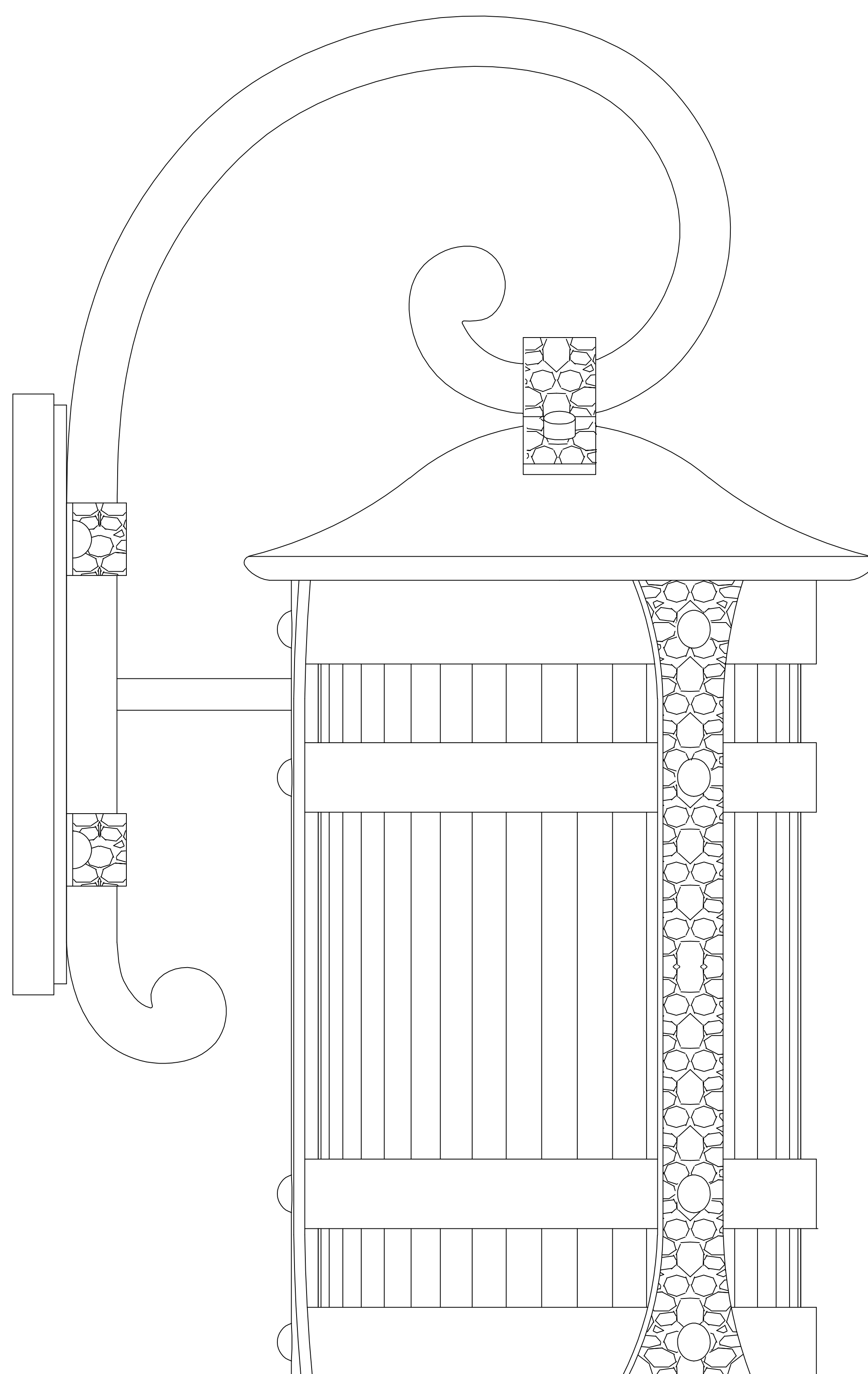




PRODUCT NAME: Casa Grande  
ITEM NUMBER: 3123 / 3125

Please consult your electrician for hanging fixture and wiring.



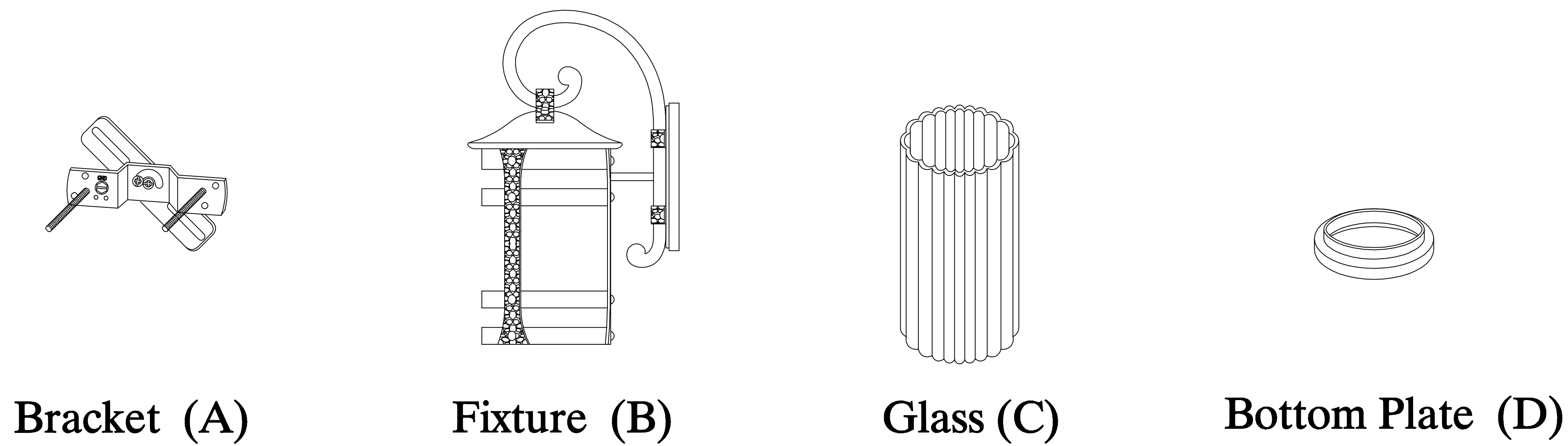
To prevent water intrusion, caulk around back-plate where fixture meets the wall using outdoor silicone sealant. Leave a small gap at the bottom to allow moisture to exit.

Bulb(not included) : MB 1 × 60W

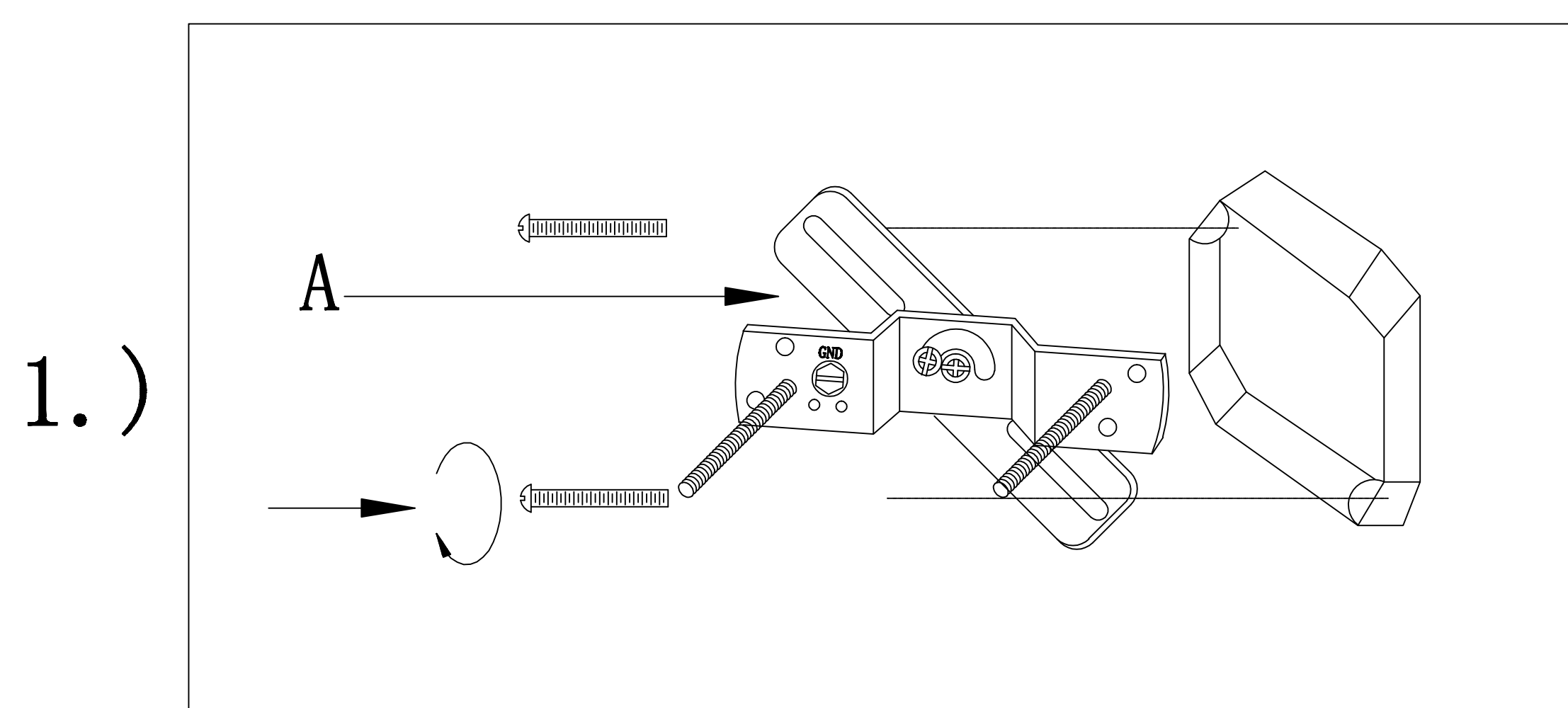


PRODUCT NAME: Casa Grande  
 ITEM NUMBER: 3123 / 3125

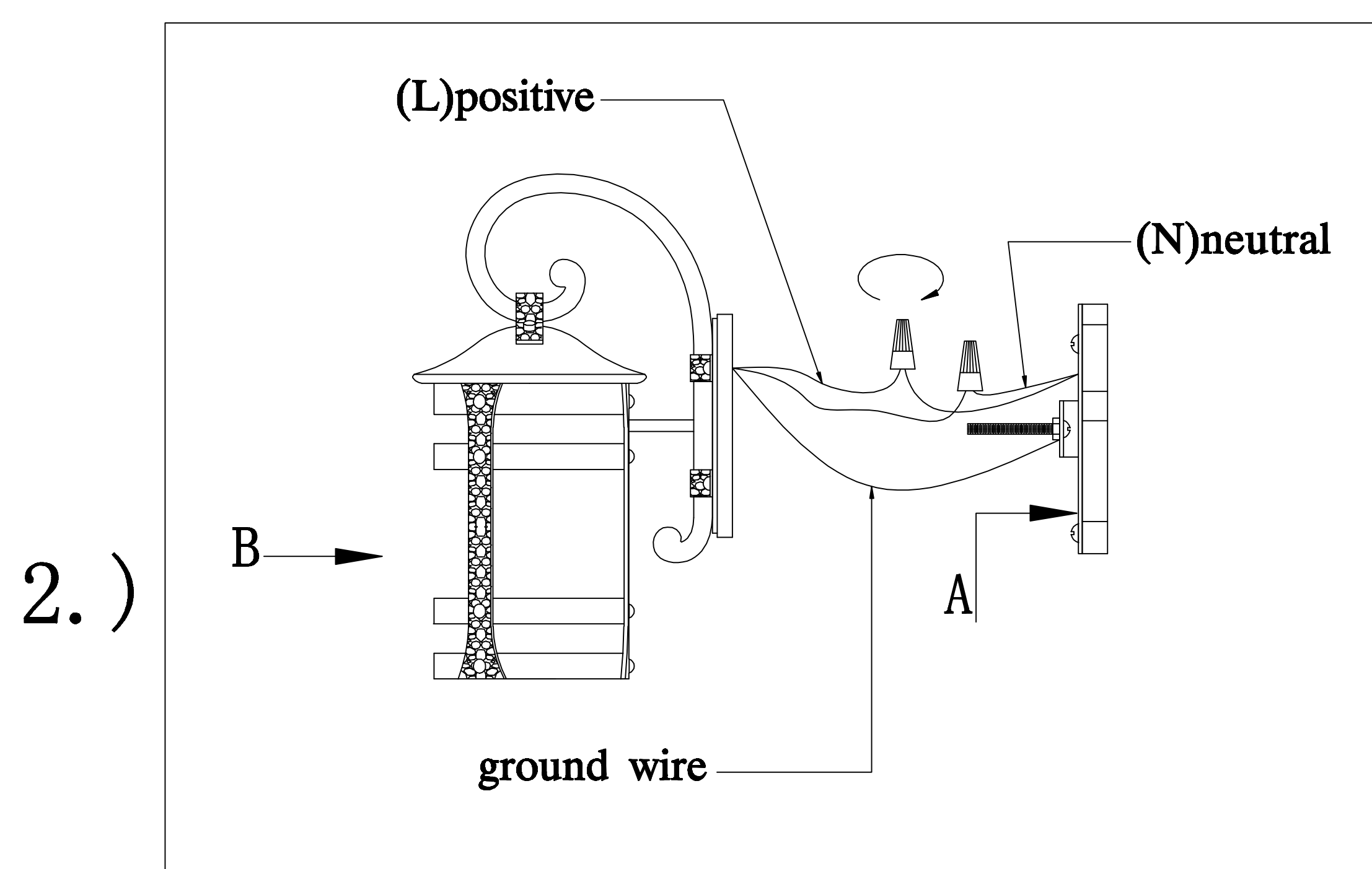
**IMPORTANT:** Turn off the power at the main fuse or circuit breaker box before starting installation.



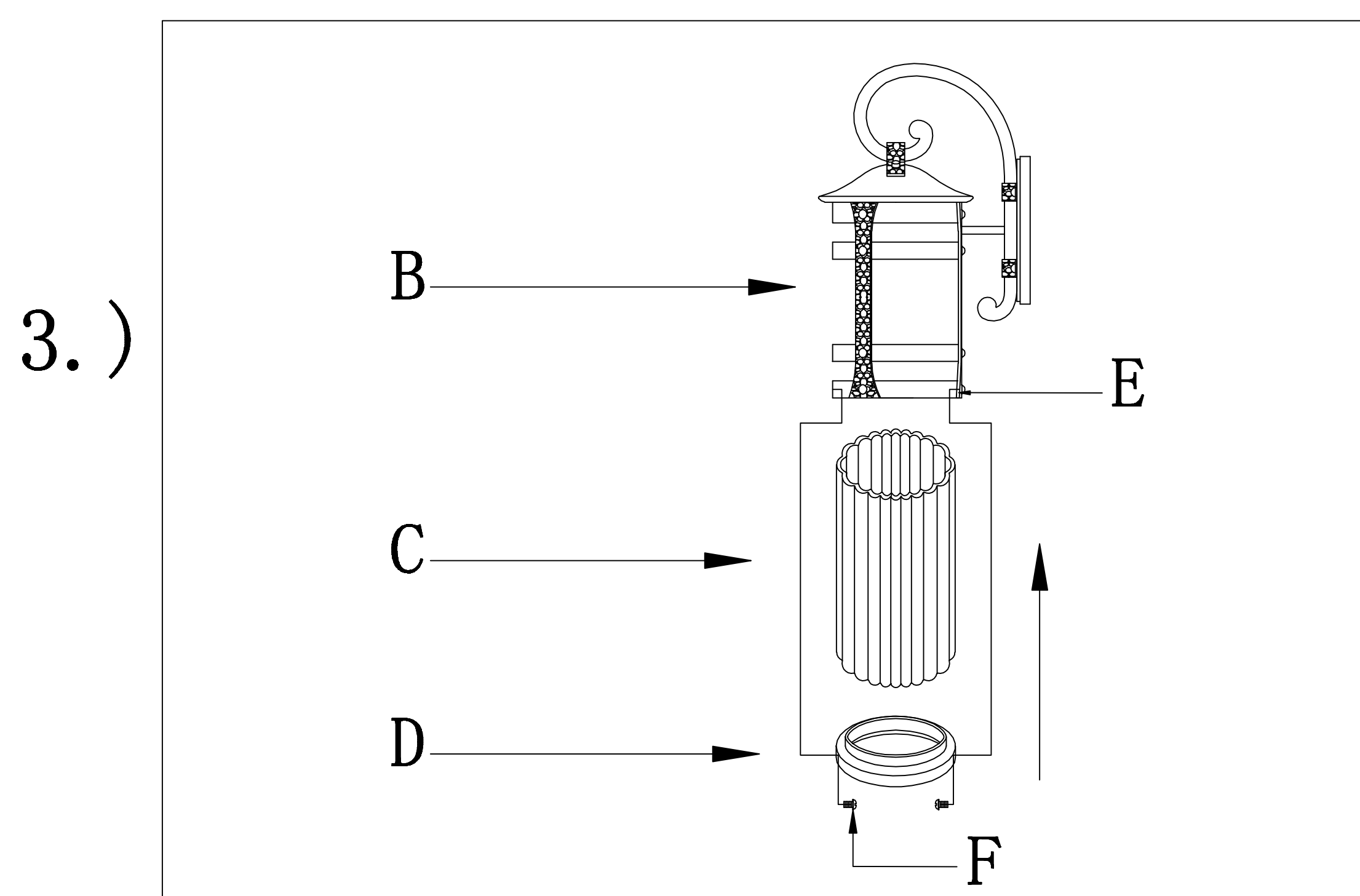
Locate all hardware & components before discarding packaging



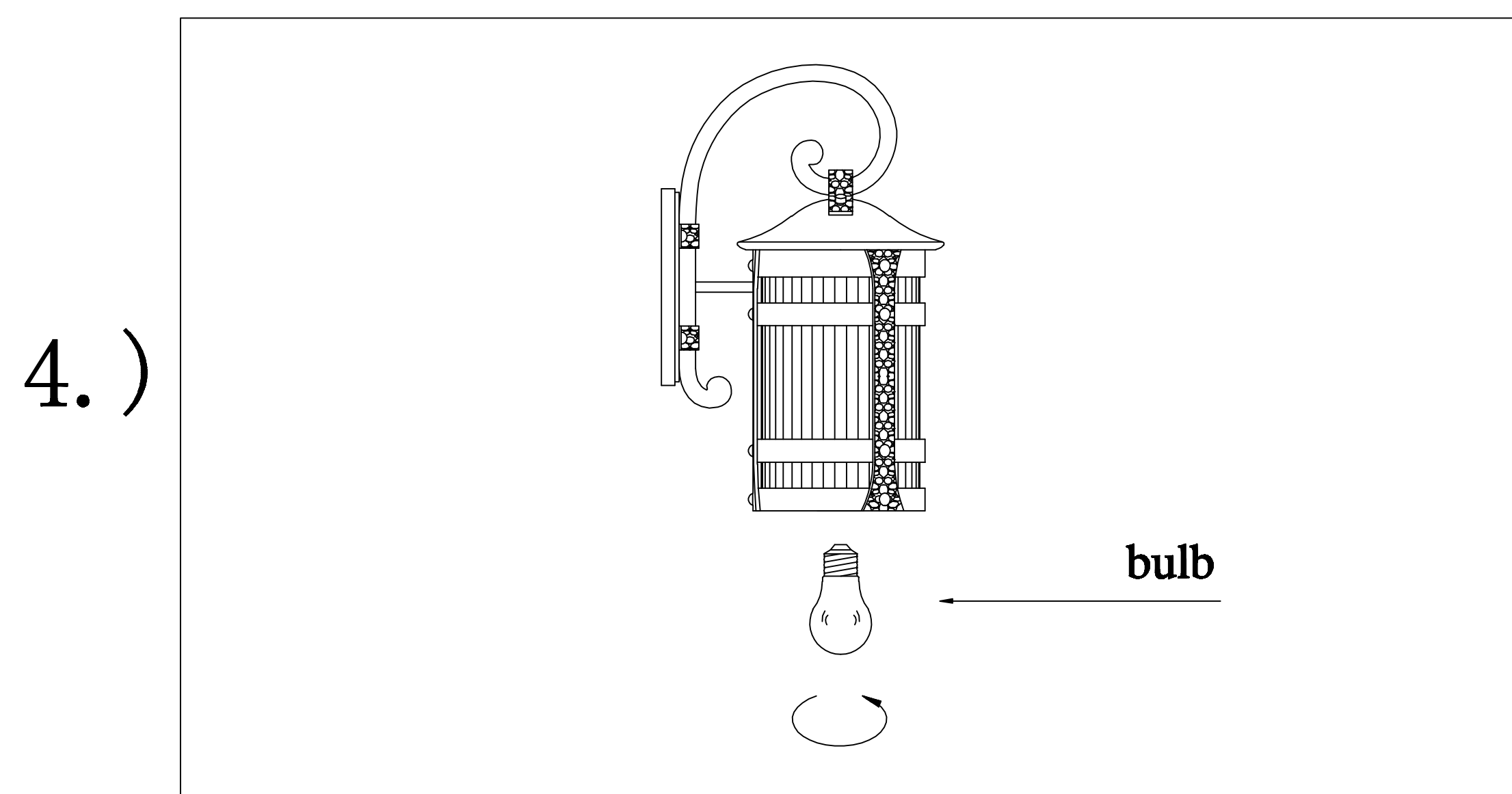
Step.1: Remove mounting bracket from fixture(B) and install to electrical box. then wire fixture to wires in outlet box. Copper wire is for Ground.



Step.2: Attach back plate to mounting bracket and tighten ball nuts so fixture meets wall. Caulk fixture where back plate meets the wall with silicone sealant.



Step.3: Attach glass(C) and secure using bottom plate(D) to the fixture using screws(F) at point(E).



Step.4: Install MB bulb.

**Cleaning & Care:**  
 Clean with soft cloth and a mild detergent.  
 DO not use abrasive cleaner.