



PRODUCT NAME: CRYSTAL GARDEN 2LT WALL SCONCE

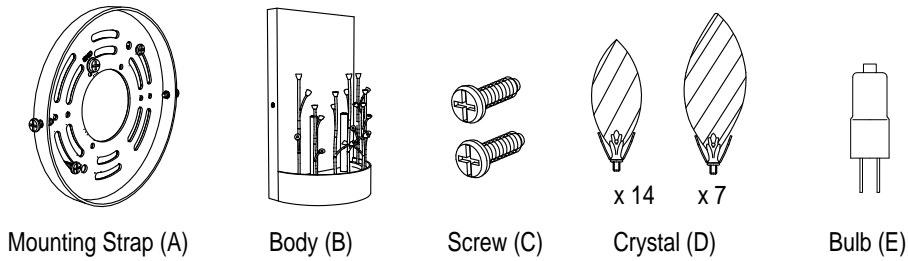
ITEM NUMBER: 30443CGGL

Please consult your electrician for hanging fixture and wiring.

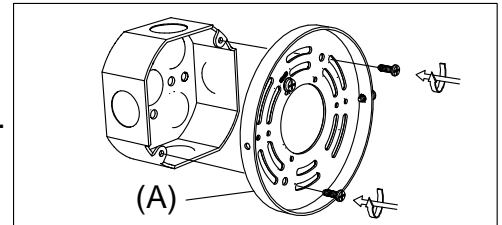
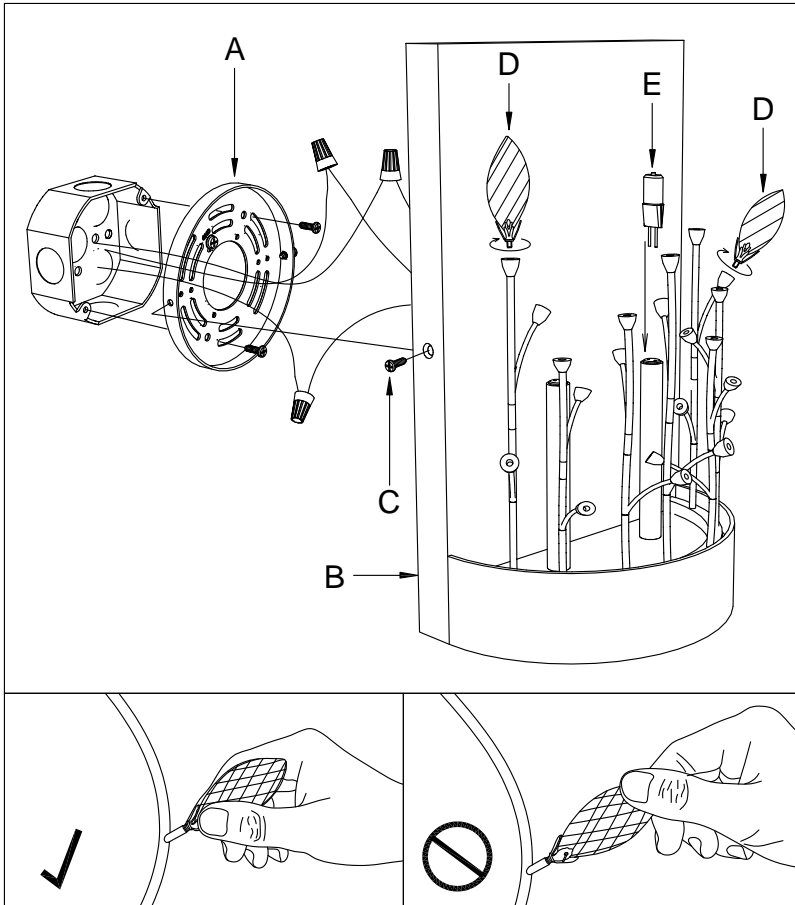


G4 2X20W (Bulb included)

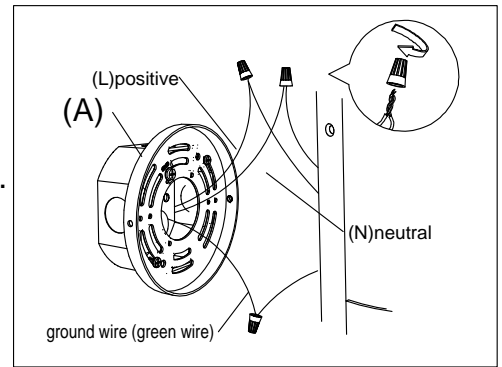
IMPORTANT: Turn off the power at the main fuse or circuit breaker box before starting installation.



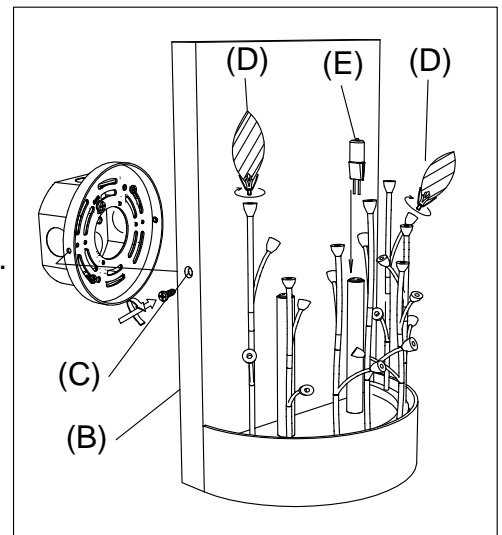
Locate all hardware & components before discarding packaging



1). Remove mounting bracket (A) from fixture and install to electrical box.



2). Wire fixture to wires in outlet box. Copper wire is for Ground.



3). Install body (B) to the outlet box and secure with screw (C). Install crystal (D) on the arm. Insert bulb (E) in the socket.

Cleaning & Care:

Clean with soft cloth and a mild detergent.
Do not use abrasive cleaner.