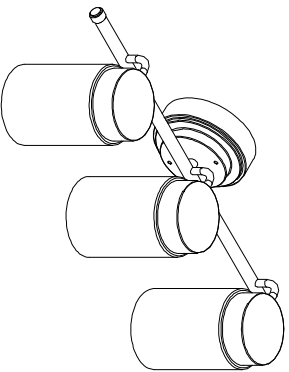


PRODUCT NAME : Mod 3 Light Bath Vanity
 ITEM NUMBER : 30263

Please consult your electrician for hanging fixture and wiring.



The fixture is designed to dim with a standard Triac forward phase dimmer. Dimming levels will vary by dimmer. Below is a list of recommended dimmers:

- Lutron MACI-153M
- Lutron DVL-153P
- Lutron SCL-153P
- Leviton IPL06-10Z
- Leviton 6674-POW

Due to inrush current, wattage should not exceed 150 Watts of product for a 600W dimmer.
WARNING: Wires need to be connected to driver found in canopy and should not be connected directly to power source or a short may occur.

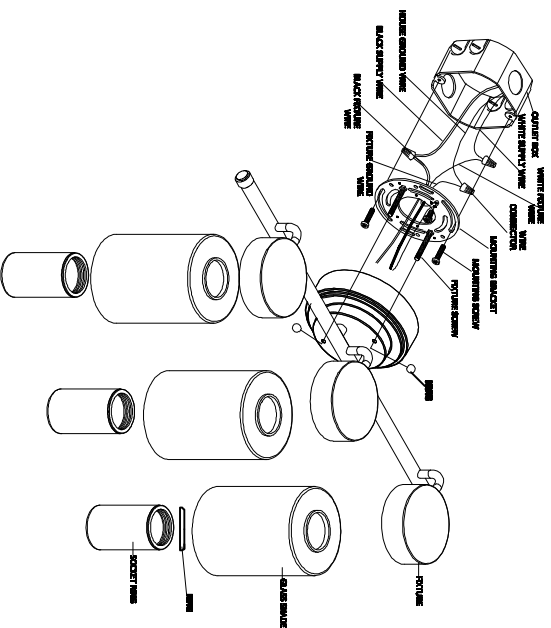
23W LED 3000K DIMMABLE

Locate all hardware & components before discarding packaging
 Cleaning & Care:
 Clean with soft cloth and a mild detergent.
 DO not use abrasive cleaner.

PRODUCTS ARE NOT INTENDED
 FOR COMMERCIAL USE.

PRODUCT NAME : Mod 3 Light Bath Vanity
 ITEM NUMBER : 30263

CAUTION: Turn off the main power at the circuit breaker before installing and servicing the fixture to prevent possible injury from electric shock.
 All electrical connections must be in accordance with local and National Electrical Code (N.E.C.) standards. If you are unfamiliar with proper electrical wiring connections, obtain the services of a qualified electrician.



1. Remove MOUNTING BRACKET from fixture and install to ELECTRICAL BOX using FIXTURE SCREWS. HEX NUTS can be adjusted for the fixture to sit flush with the wall.
2. Wires must be connected to driver found inside canopy. Wire driver input wires to supply wires in outlet box. Green wire is for Ground.
3. Attach back plate to MOUNTING BRACKET and tighten BALL NUTS so fixture meets wall. FIXTURE SCREWS should protrude from BACK PLATE 1/8".
4. Slide GLASS over socket and secure using RING spacer and frosted glass diffuser's SOCKET RING.

PRODUCTS ARE NOT INTENDED
 FOR COMMERCIAL USE.