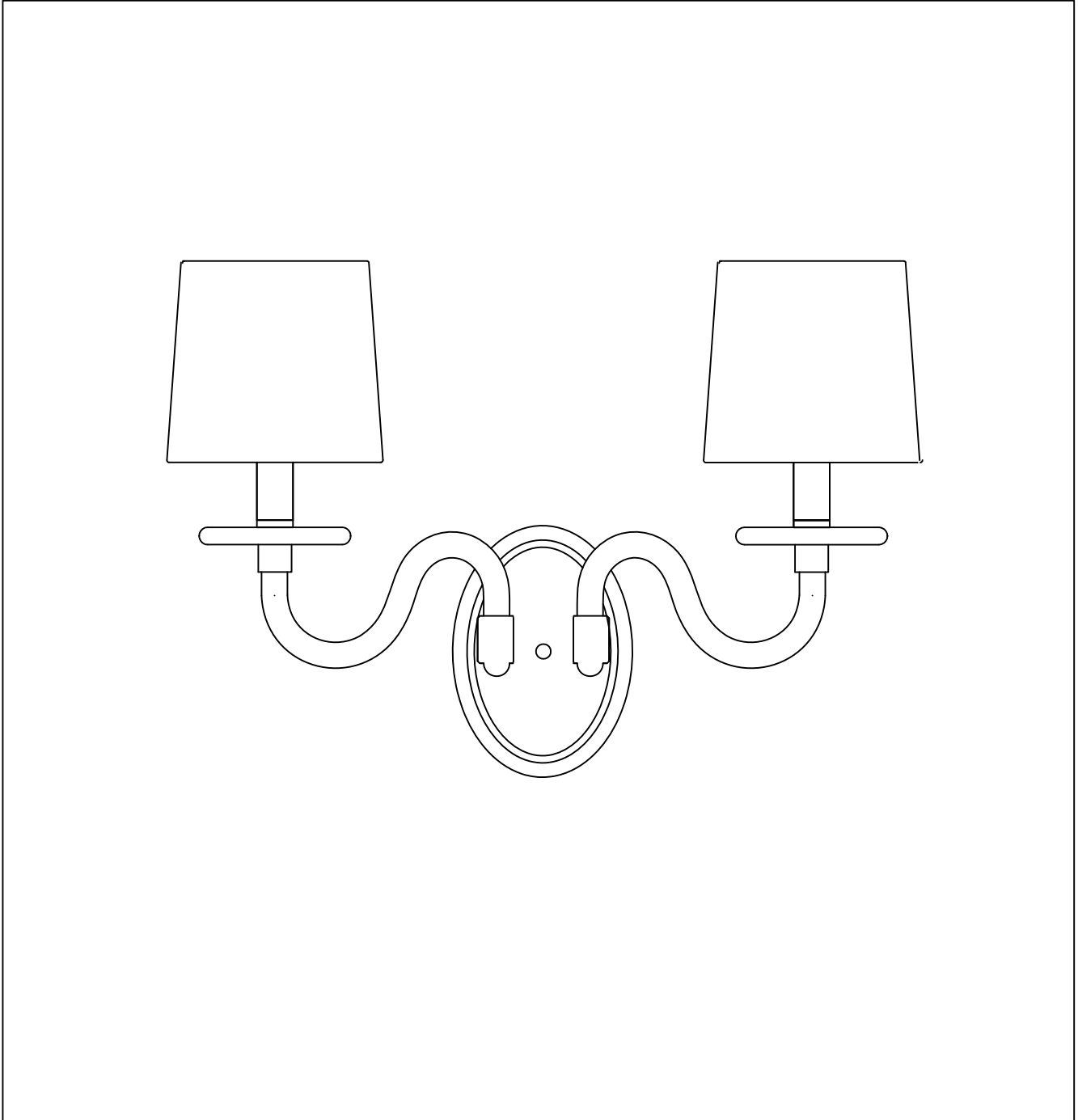


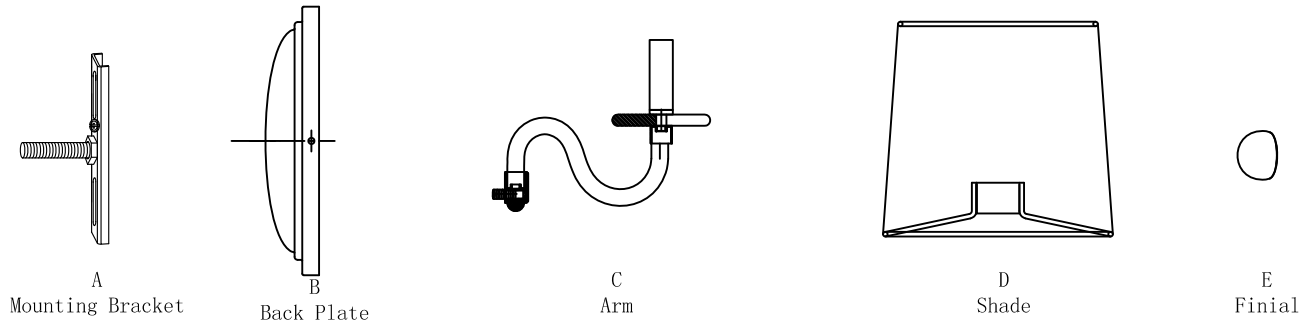
PRODUCT NAME: Venezia  
ITEM NUMBER: 27542CLPN

Please consult your electrician for hanging fixture and wiring.

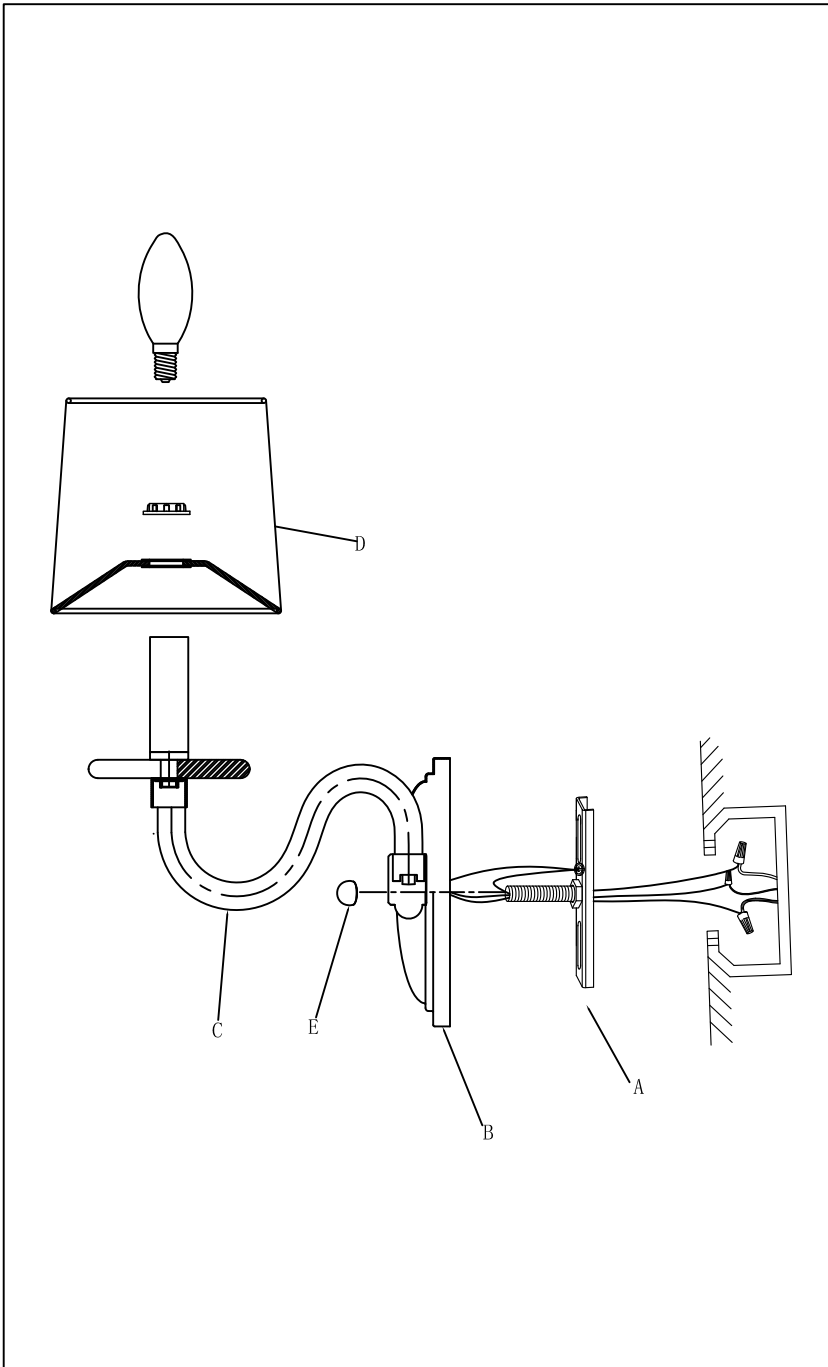


Bulb(not included): 2 x 40W E12 Candelabra Bulb

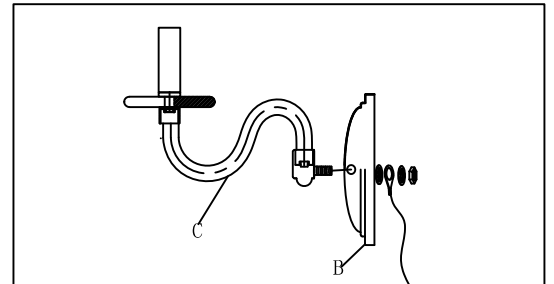
**IMPORTANT: Turn OFF the power at the main fuse or circuit breaker box before starting installation**



Locate all hardware & components before discarding packaging

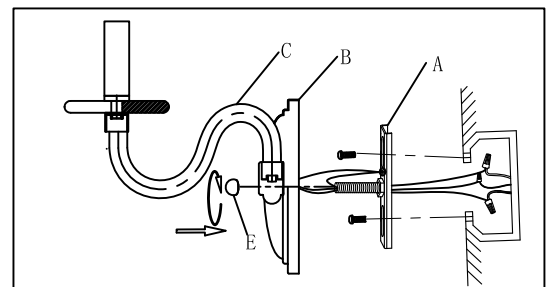


1.)



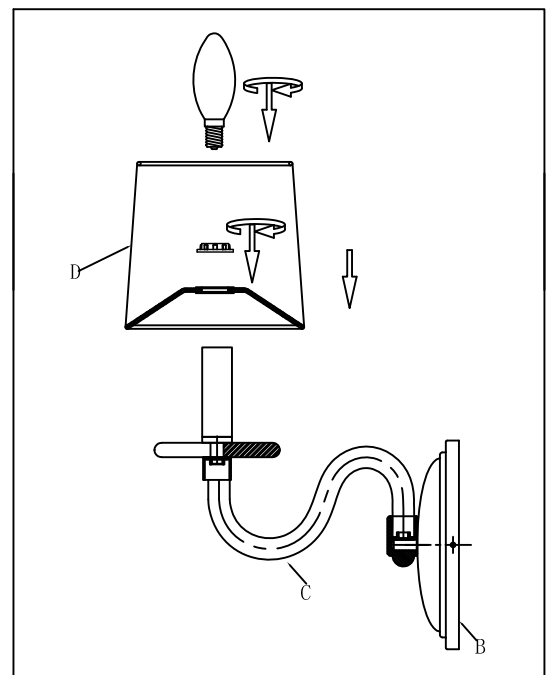
Step.1: Remove mounting bracket (A) from back plate (C) and install to electrical box.

2.)



Step.2: Install fixture to mounting bracket (A) using finial (E) provided.

3.)



Step.3: Place shade (D) on candle cover and secure using screw ring provided. Then, install 40 Watt candelabra base bulb.

**Cleaning & Care:**

Clean with soft cloth and a mild detergent.  
Do not use abrasive cleaner.