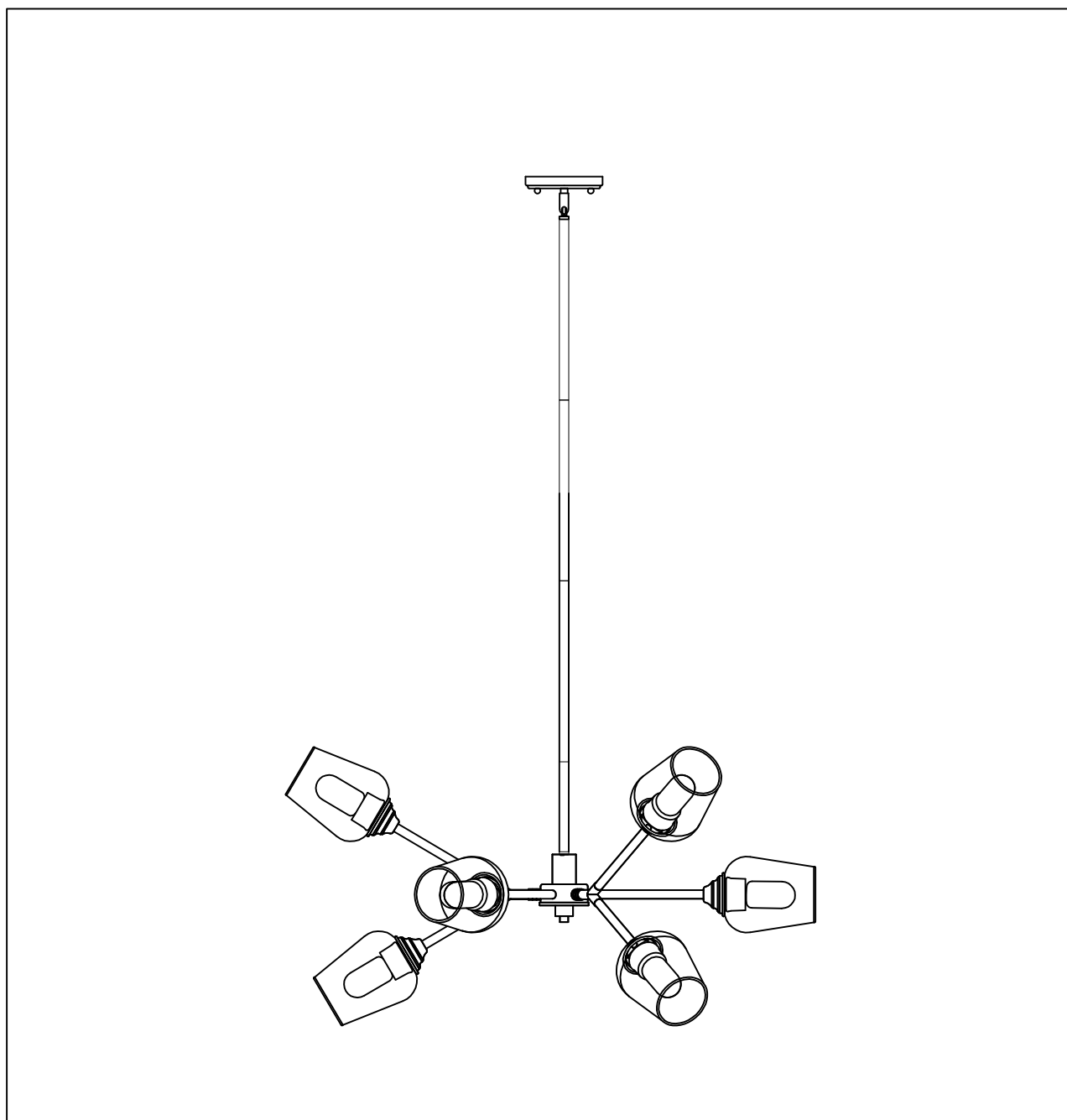




PRODUCT NAME: Savvy 9LT Chandelier
NUMBER: 26345CLABBK

Please consult your electrician for Hang fixture and wiring.



Bulb (included) : 9*MB 60W

MADE IN CHINA

Page 1 of (3)

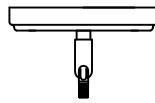
IMPORTANT: Turn off power at the main fuse or circuit breaker box before starting installation



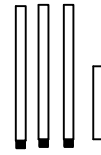
(A) Bracket



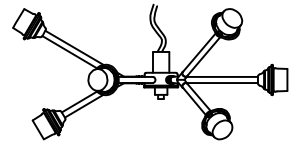
(B) Ball nut



(C) Canopy

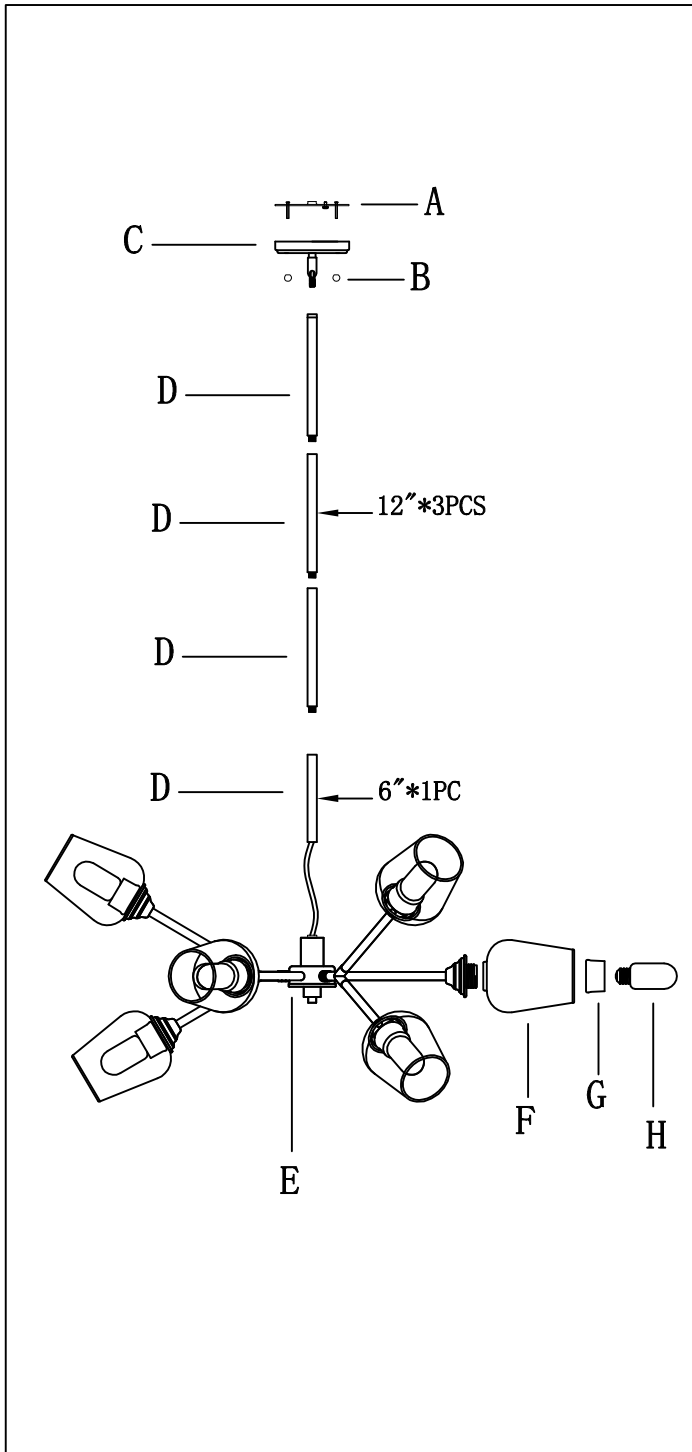


(D) Stems



(E) Body

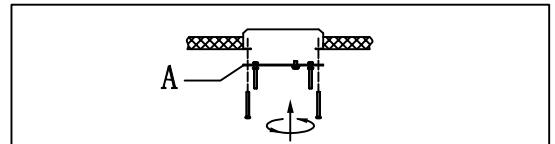
Locate all hardware & components before discarding packaging



Cleaning & Care:

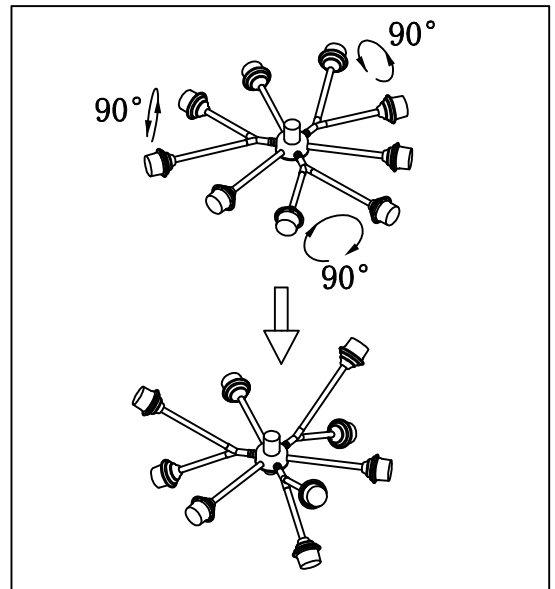
Clean with soft cloth and a mild detergent.
Do not use abrasive cleaner.

1.)



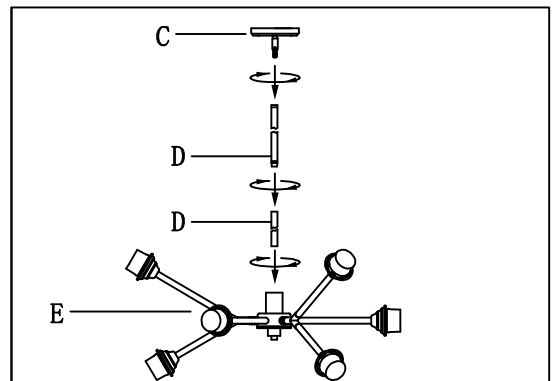
Step. 1: Remove mounting bracket (A) from fixture and install to electrical box.

2.)



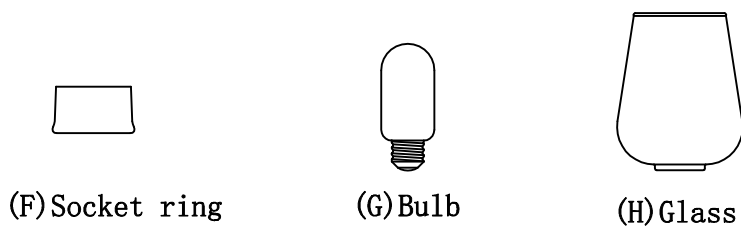
Step. 2: The fixture is packaged flat, Turn the arm 90 degrees clockwise for correct configuration.

3.)

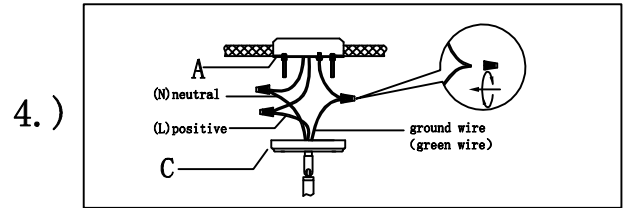
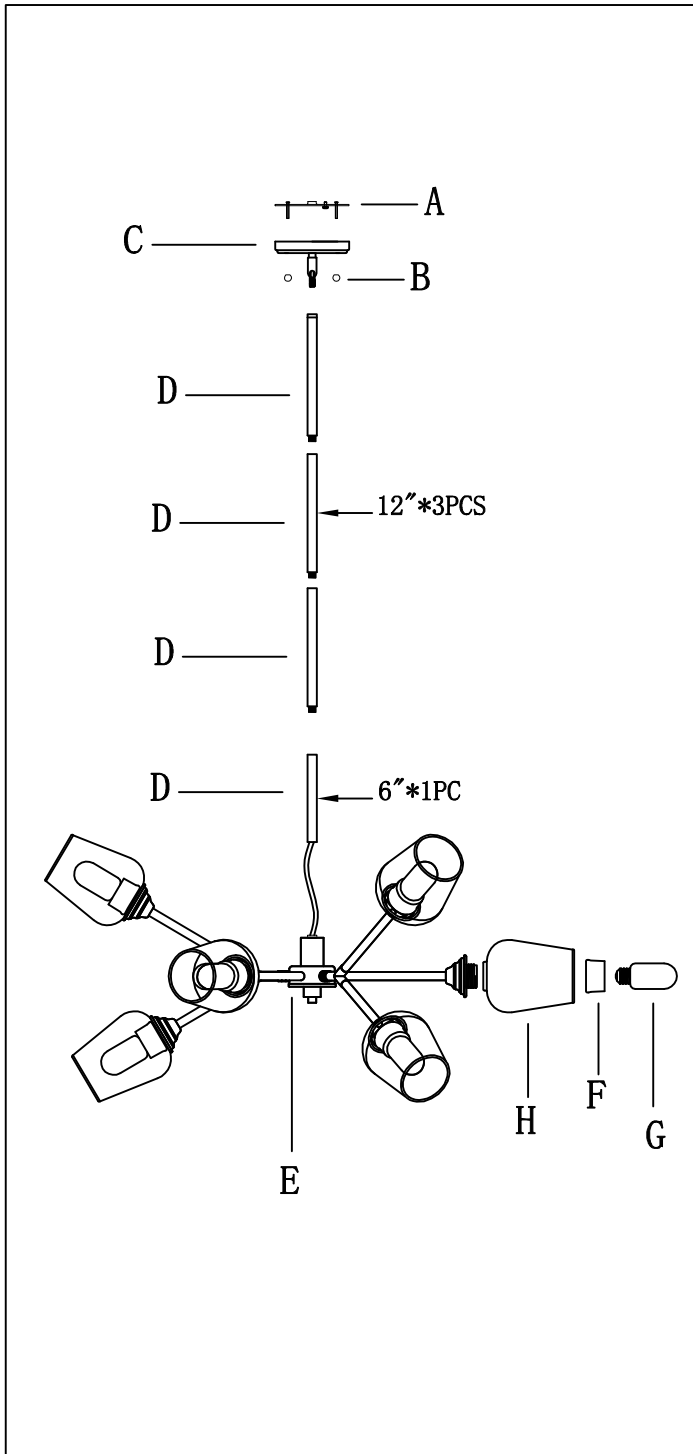


Step. 3: Run wire through stems (D) and combine stem lengths to meet desired mounting height.

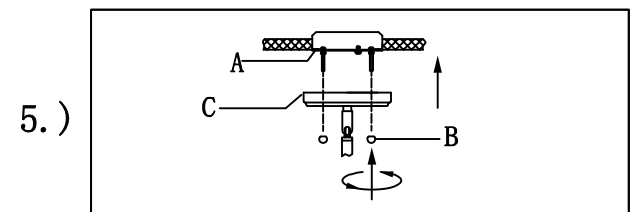
IMPORTANT: Turn off power at the main fuse or circuit breaker box before starting installation



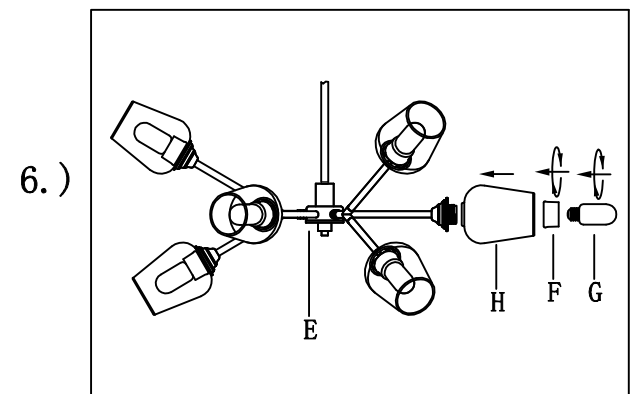
Locate all hardware & components before discarding packaging



Step. 4: Wire fixture to wires in outlet box. Copper/Green wire is for Ground.



Step. 5: Install fixture to bracket and tighten ball nuts (B) on the canopy to secure.



Step. 6: Use socket ring (F) to secure the glass (H), then install the bulb (G).

Cleaning & Care:

Clean with soft cloth and a mild detergent.
Do not use abrasive cleaner.