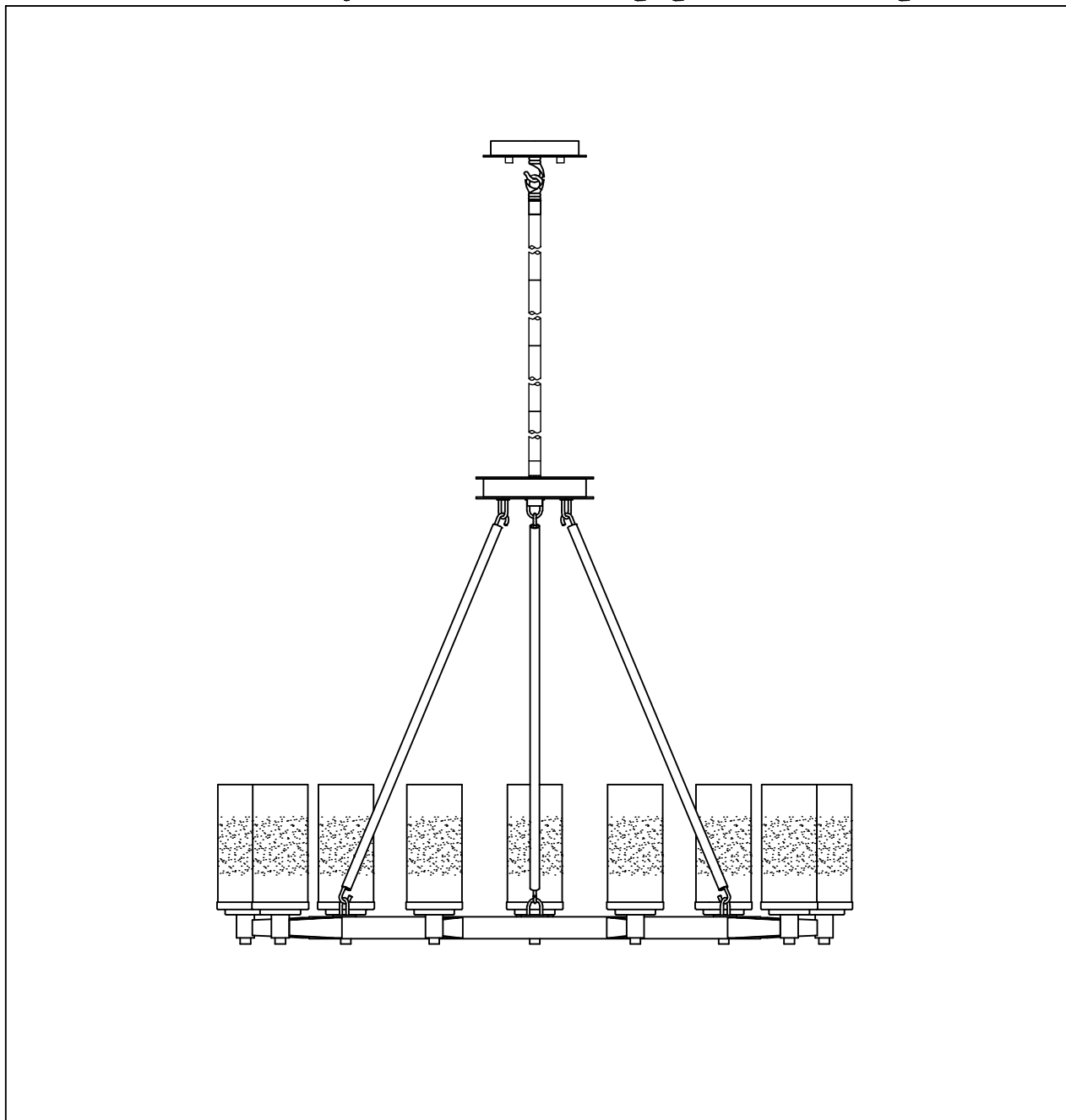




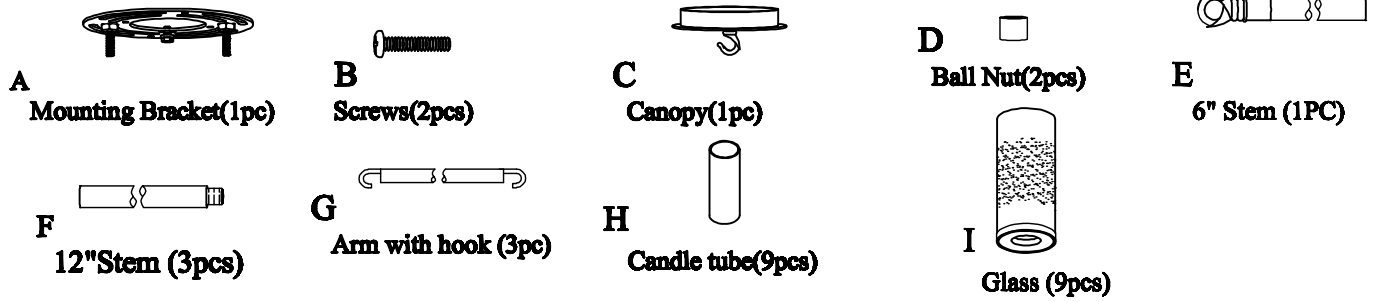
PRODUCT NAME: Crescendo 9lt chandelier
ITEM NUMBER: 26327

Please consult your electrician for hanging fixture and wiring.

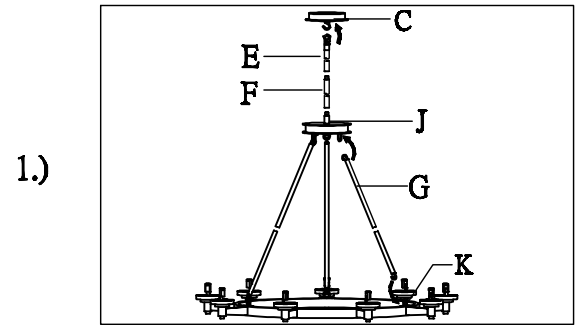
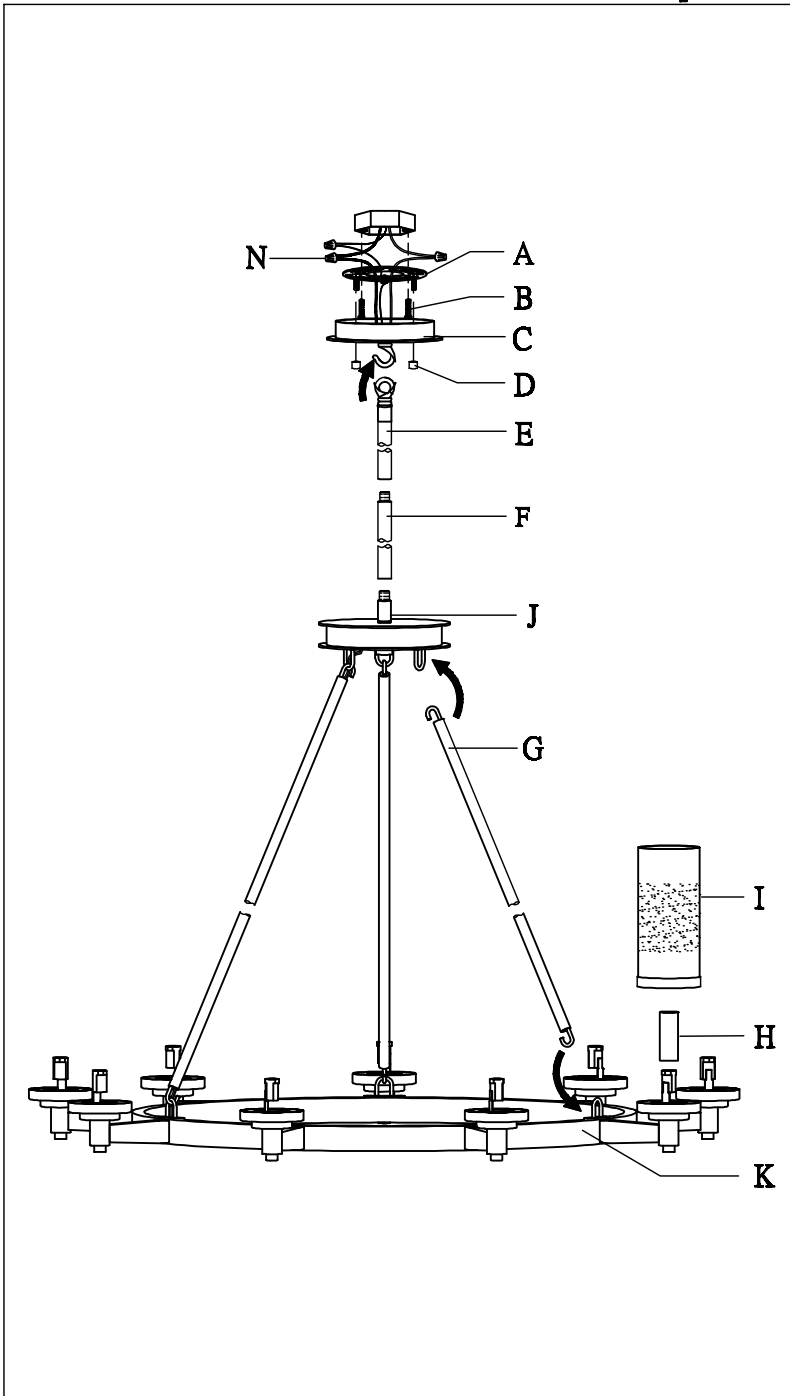


Bulb(not included): 9-60 Watt CA Incandescent Bulb

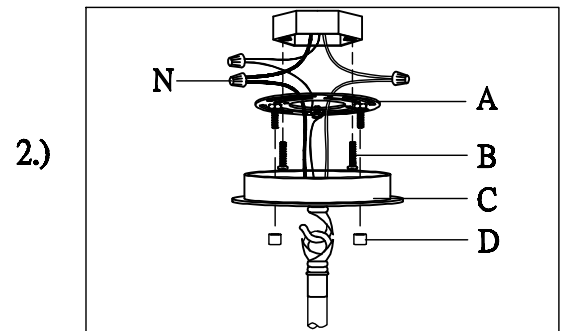
IMPORTANT: Turn off the power at the main fuse or circuit breaker box before starting installation



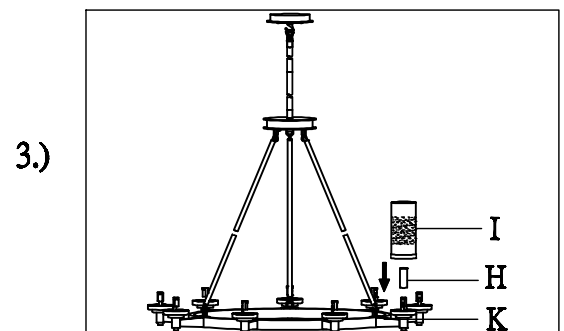
Locate all hardware & components before discarding packaging



Step1: Carefully remove packaging from fixture. Run wire through stems (E)&(F) and combine stem lengths to meet desired mounting height. Then attach canopy (C) to fixture.



Step2: Remove mounting bracket(A) from canopy. Install fixture to bracket and tighten ball nuts(D) on the canopy to secure.



Step3: Attached the Candle tube(H) and Glass(I) onto the Cup(K)

Cleaning & Care:

Clean with soft cloth and a mild detergent. Do not use abrasive cleaner.