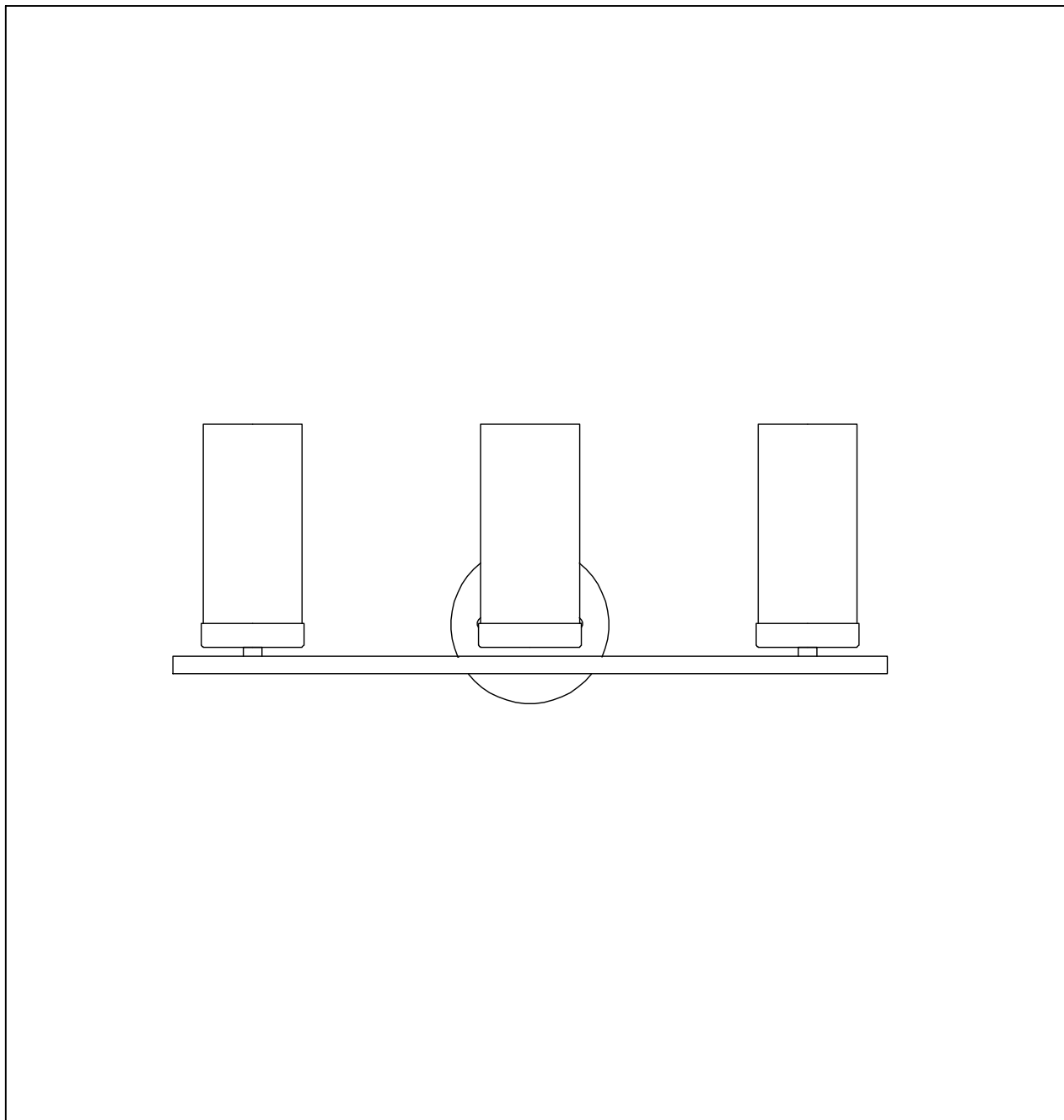




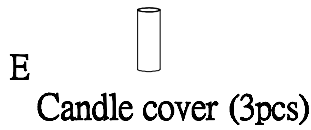
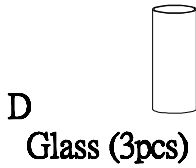
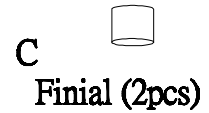
PRODUCT NAME: Centennial 3-Light Bath Vanity
ITEM NUMBER: 25257

Please consult your electrician for hanging fixture and wiring.

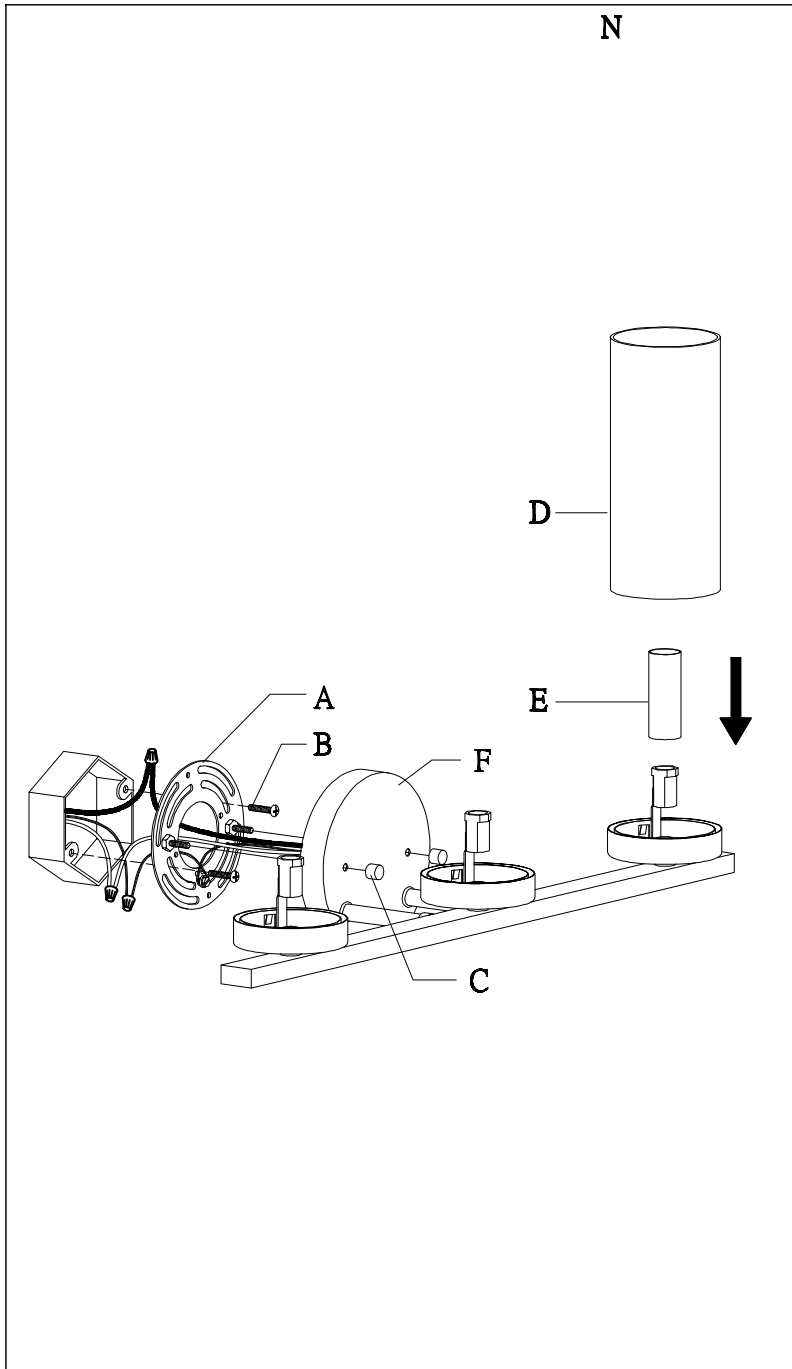


Bulb(not included): 3-60 Watt Candelabra Base Bulbs

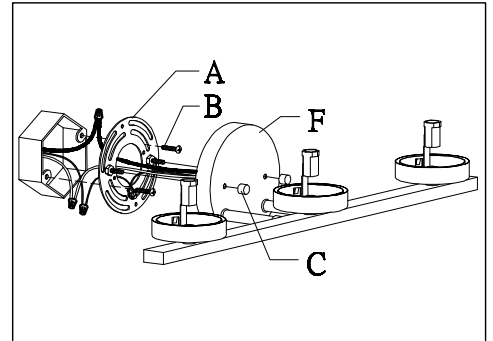
IMPORTANT: Turn off the power at the main fuse or circuit breaker box before starting installation



Locate all hardware & components before discarding packaging

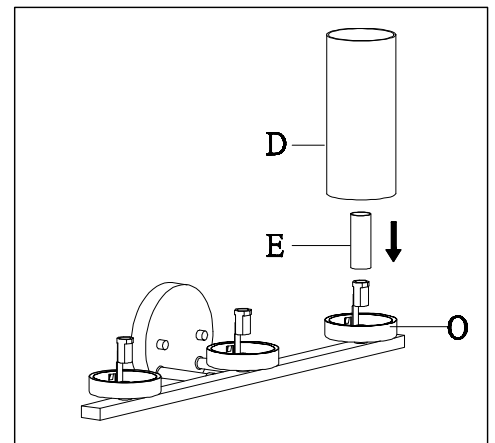


1.)



Step.1: Remove mounting bracket (A) from fixture and install to electrical box. Then wire fixture to wires in outlet box. Copper wire is for Ground. Attach backplate(F) to mounting bracket(A) and screws , then tighten by finial(C), so fixture meets wall.

2.)



Step 2: Attach the candle cover (E) over the socket and press glass onto the cup (O) to secure.

Cleaning & Care:

Clean with soft cloth and a mild detergent.
Do not use abrasive cleaner.