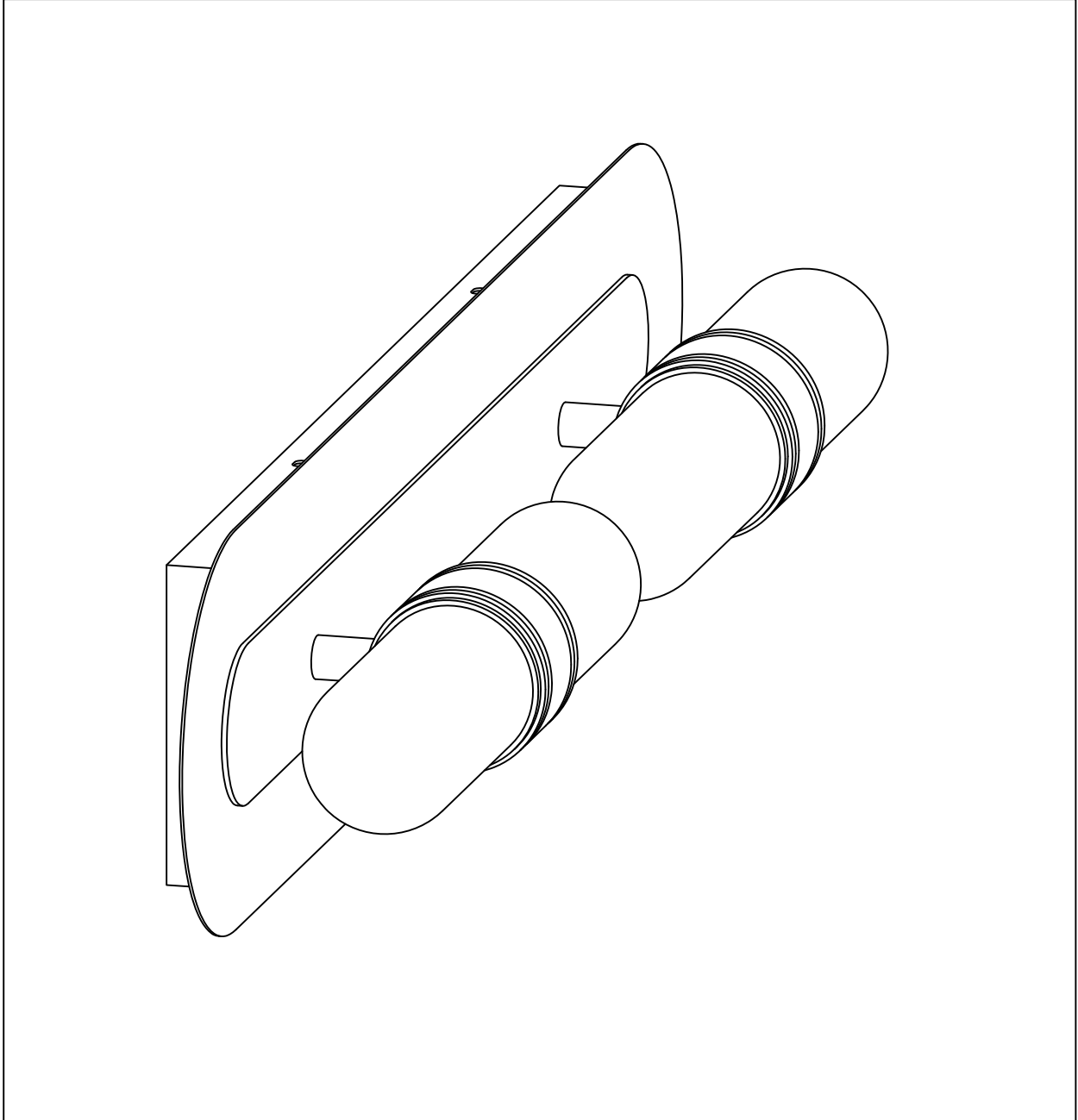




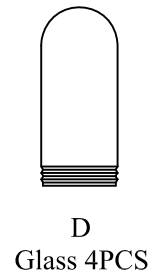
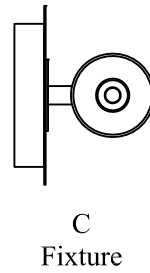
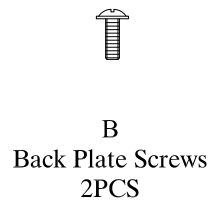
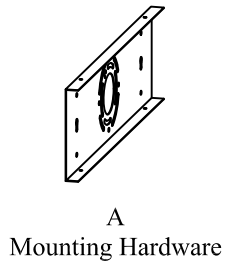
PRODUCT NAME: Dual
ITEM NUMBER: 21704CLBKAL

Please consult your electrician for hanging fixture and wiring.

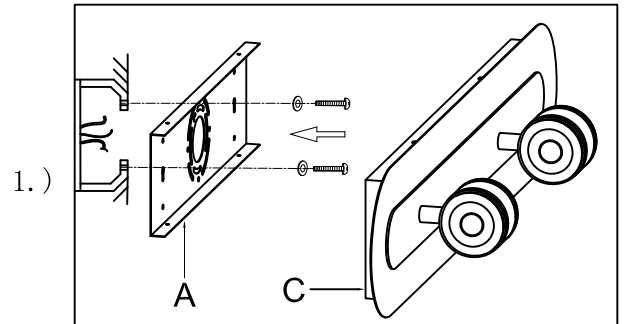
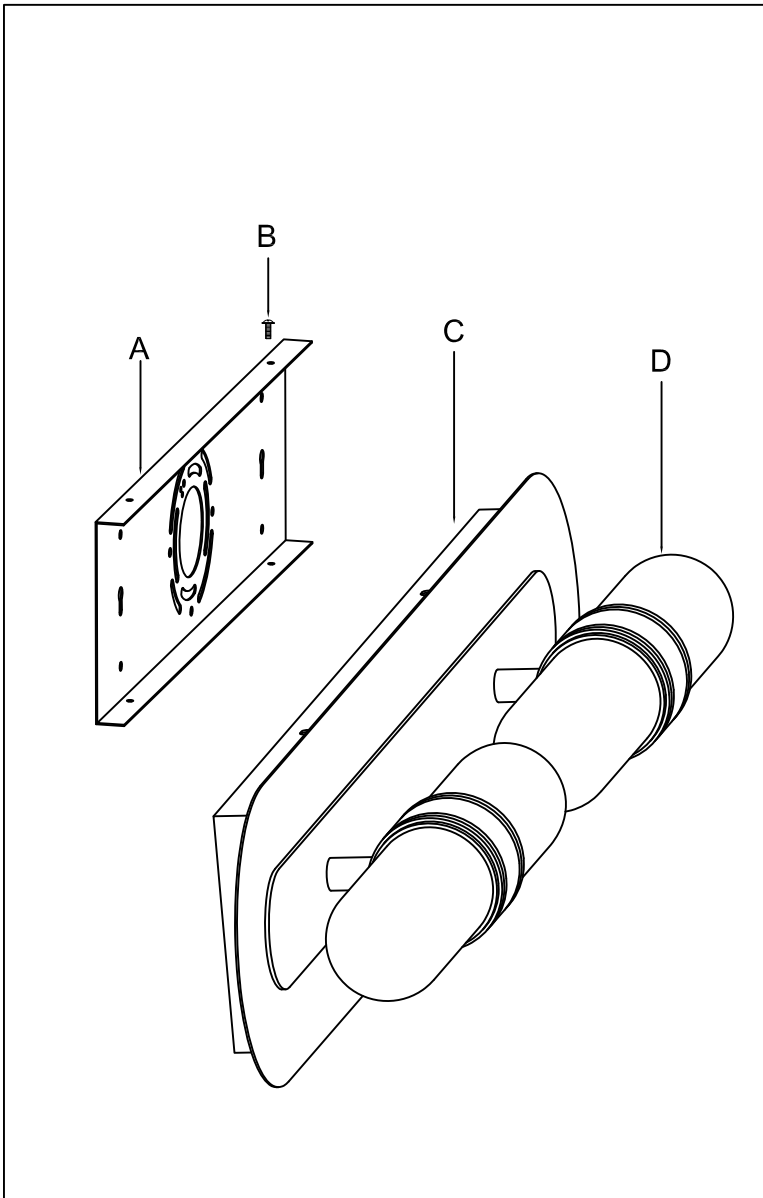


Bulb included: 4 x 40W E12

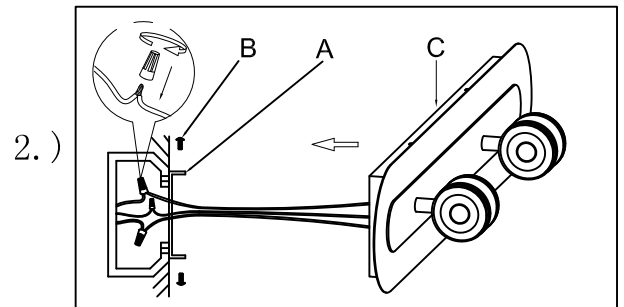
IMPORTANT: Turn OFF the power at the main fuse or circuit breaker box before starting installation



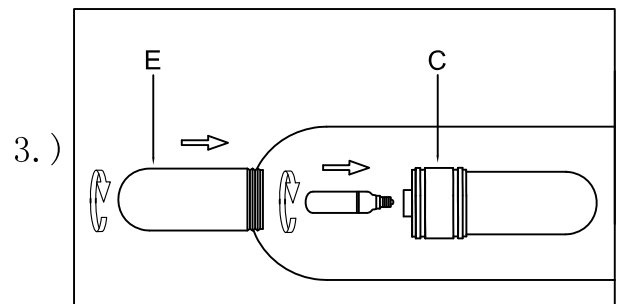
Locate all hardware & components before discarding packaging



1.) Step.1: Remove mounting hardware (A) from Fixture (C) and install to electrical box.



2.) Step.2: Wire fixture to wires in outlet box. Black wire is positive, white is neutral, Copper wire is for Ground. Attach Fixture (C) to mounting hardware (A) using screws (B) to secure.



3.) Step.3 : Install 40 Watt candelabra base bulb. Then, Thread glass (D) into fixture (C).

Cleaning & Care:

Clean with soft cloth and a mild detergent.
Do not use abrasive cleaner.