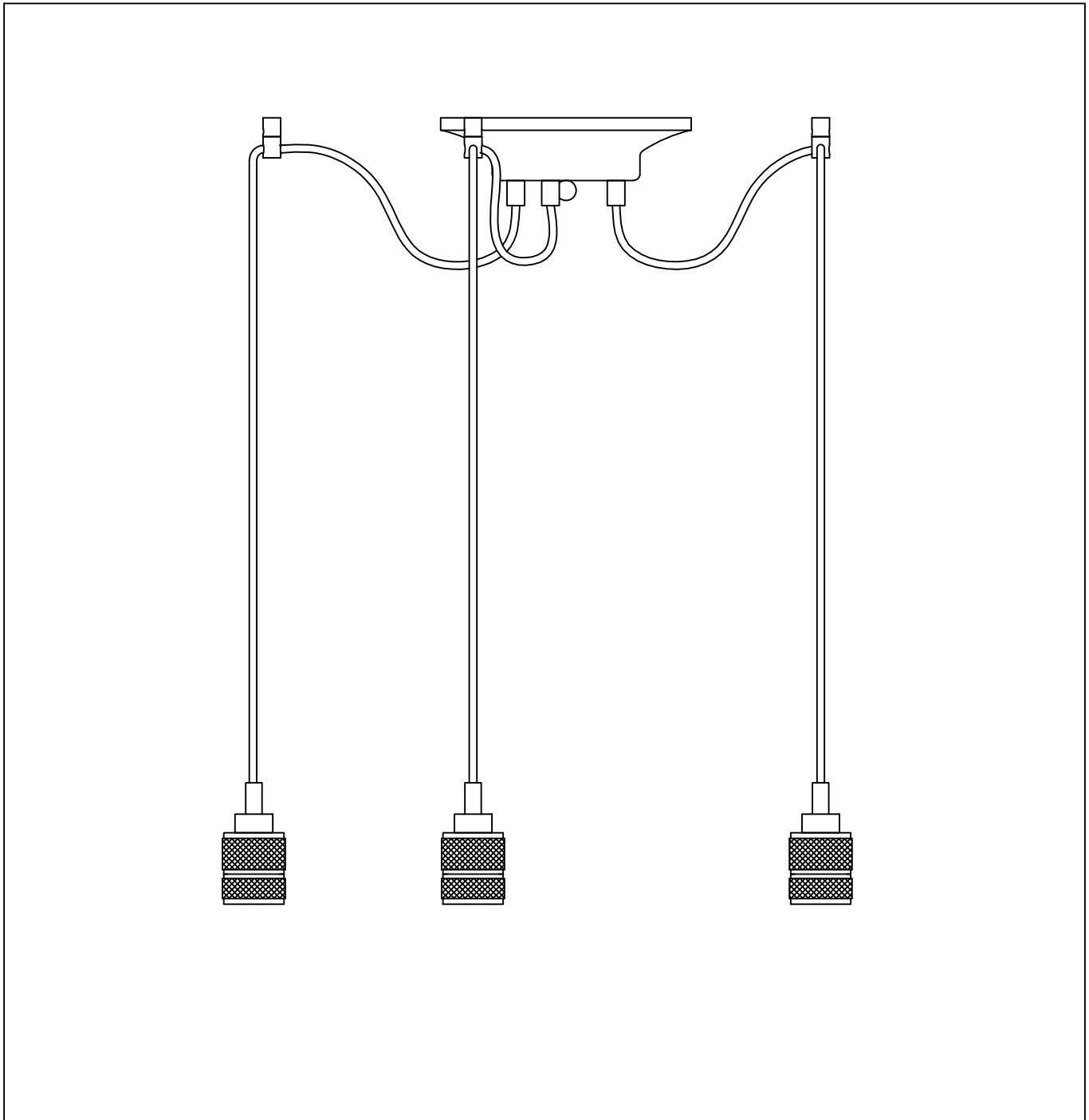




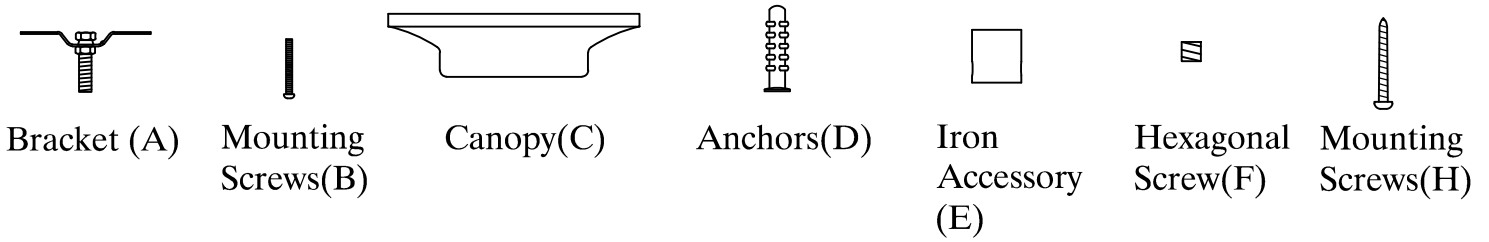
PRODUCT NAME:Swagger 5LT Pendant
ITEM NUMBER: 12145

Please consult your electrician for hanging fixture and wiring.

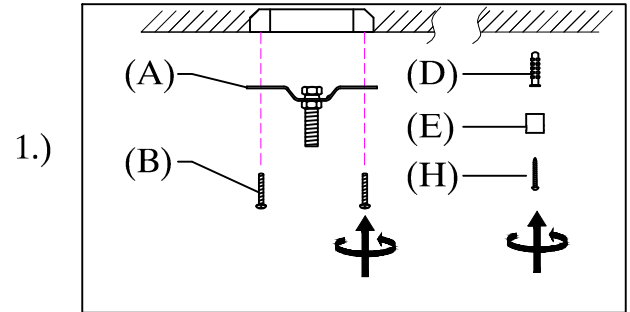
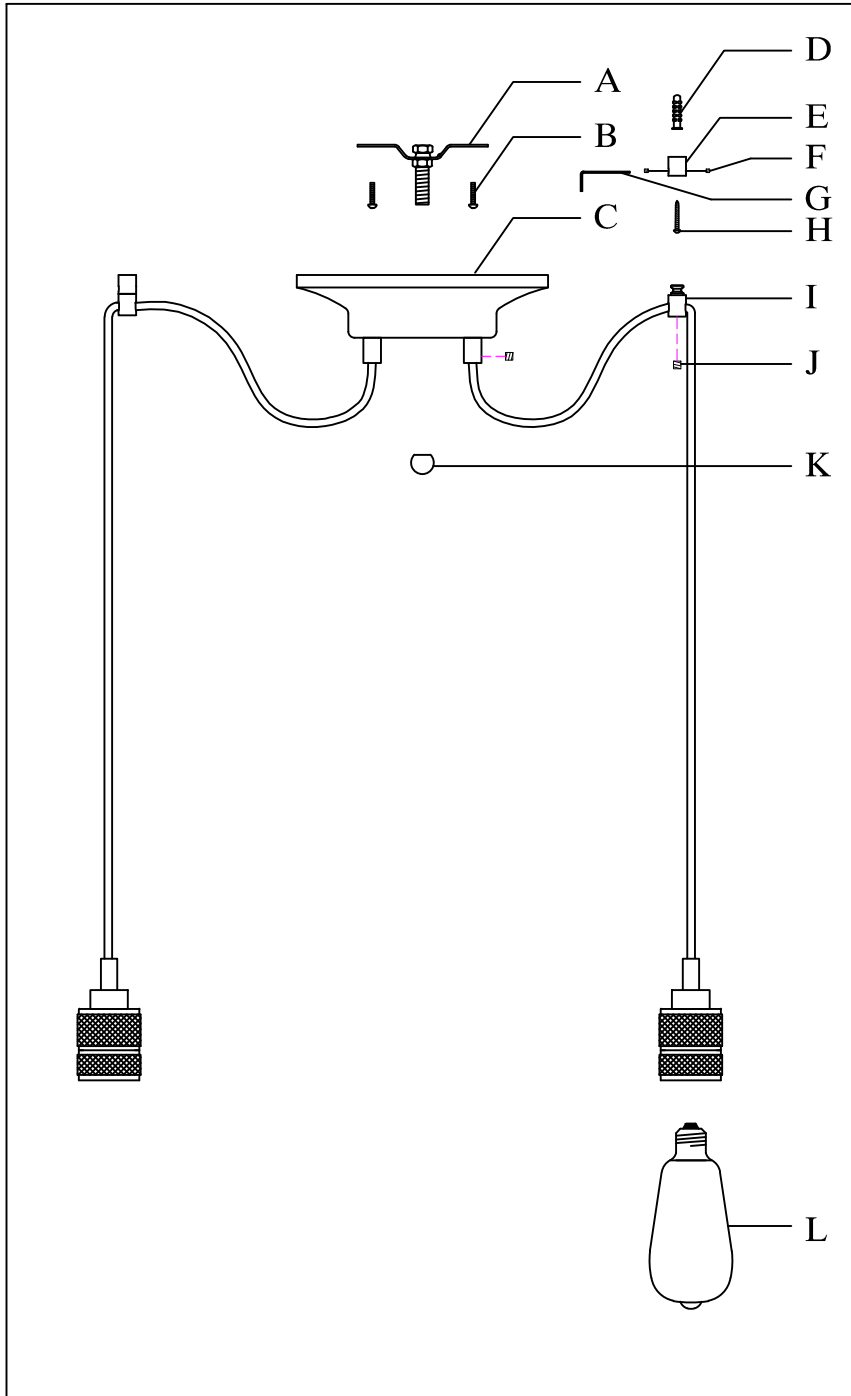


Bulbs (Not included):5* E26*60W

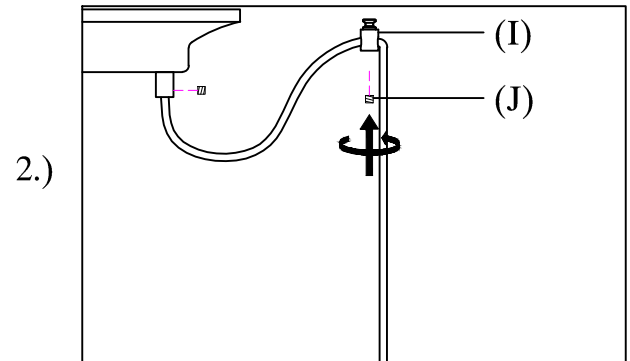
IMPORTANT: Turn off the power at the main fuse or circuit breaker box before starting installation



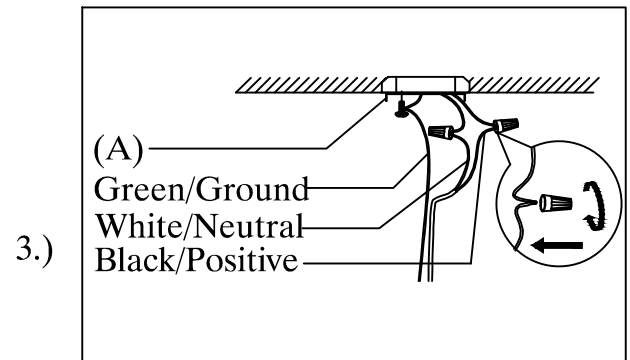
Locate all hardware & components before discarding packaging



Step 1 : Use 3/8" drill bit to attach anchors (D) to ceiling. Hold iron accessory (E) over the anchor and secure using mounting screw (H).



Step 2 : Adjust wire length to desired mounting height, and tighten strain relief screws to secure.



Step 3 : Wire fixture to wires in outlet box. Green wire is for Ground.

Cleaning & Care:
Clean with soft cloth and a mild detergent.
Do not use abrasive cleaner.

IMPORTANT: Turn off the power at the main fuse or circuit breaker box before starting installation



Iron
Accessory
(E)



Inner
Hexagon
Wrench(G)



Line
Fixing
Device(I)



Plastic
Screws(J)

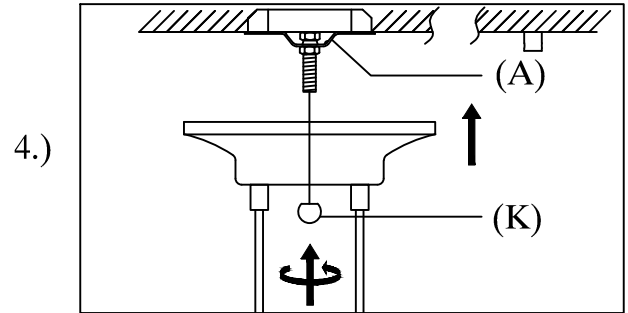
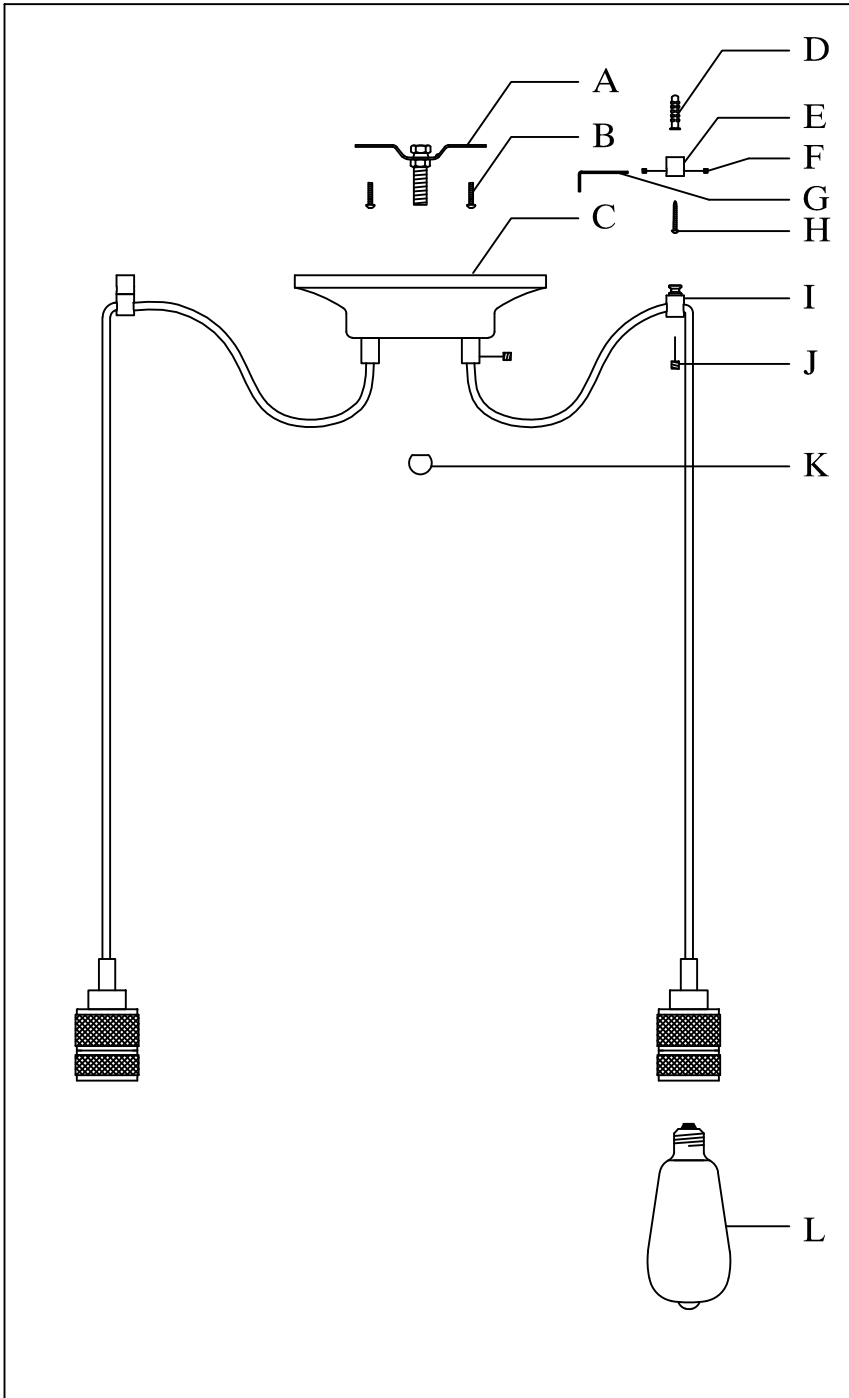


Ball
Nuts(K)

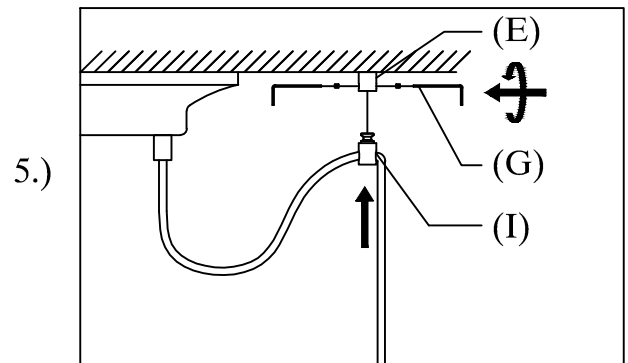


Bulb(L)

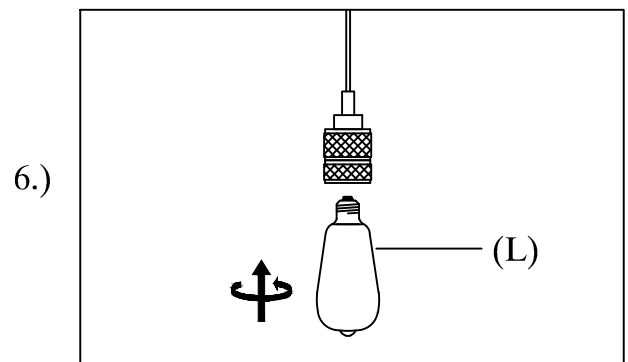
Locate all hardware & components before discarding packaging



Step4 :Install fixture to bracket and Ball Nuts at the ends of the canopy to secure.



Step5 :Load the line fixing device (I) into the iron accessory (E), adjust the angle of the wire, and use the inner hexagon wrench (G) to lock the screw.



Step6 :Install bulb into socket.

Cleaning & Care:
Clean with soft cloth and a mild detergent.
Do not use abrasive cleaner.