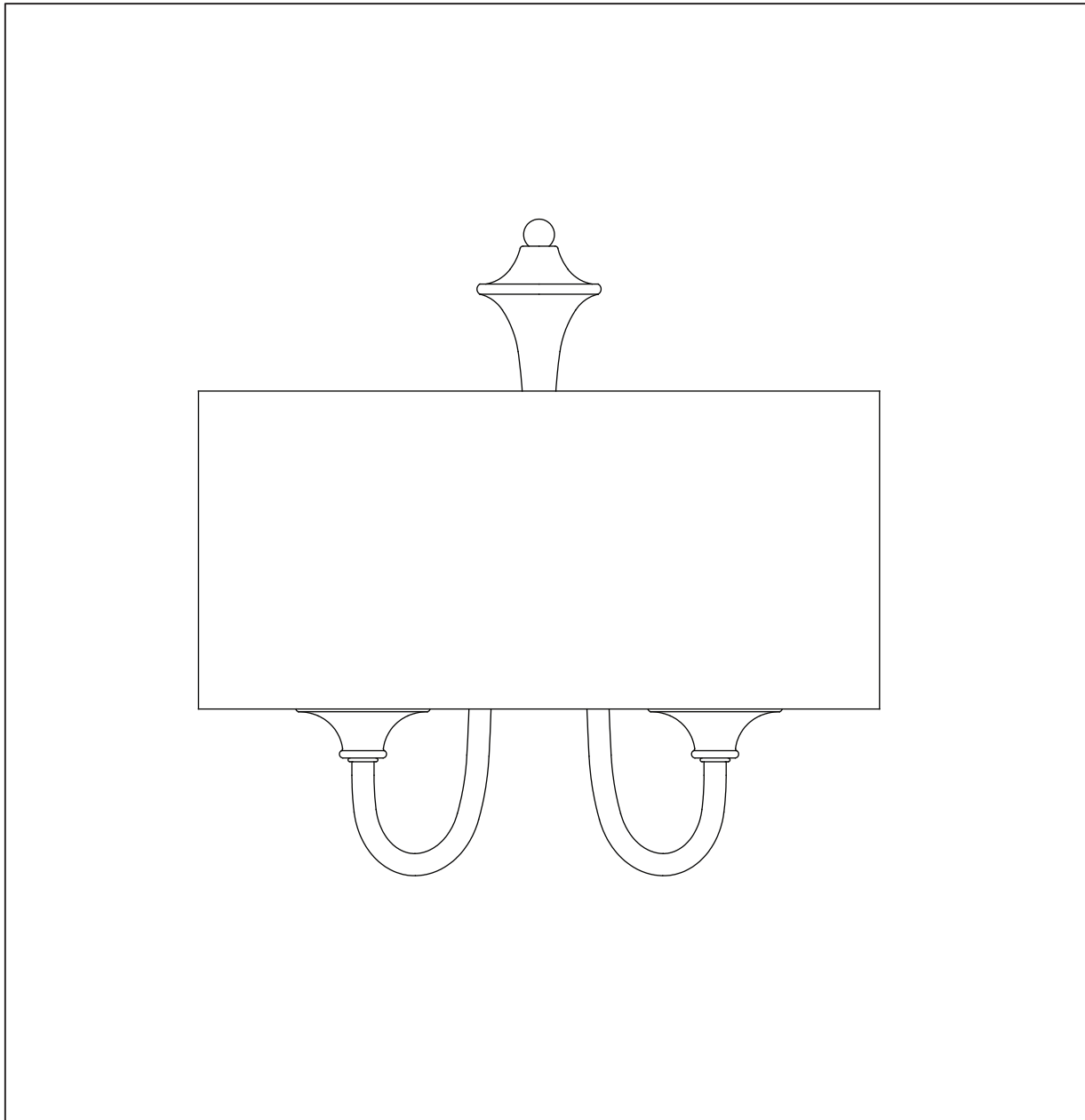




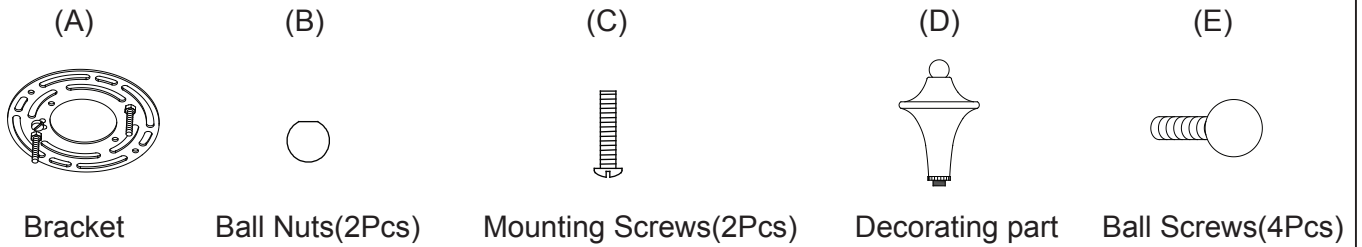
PRODUCT NAME: Bongo 1-Light Wall Sconce
ITEM NUMBER: 10012

Please consult your electrician for hanging fixture and wiring.

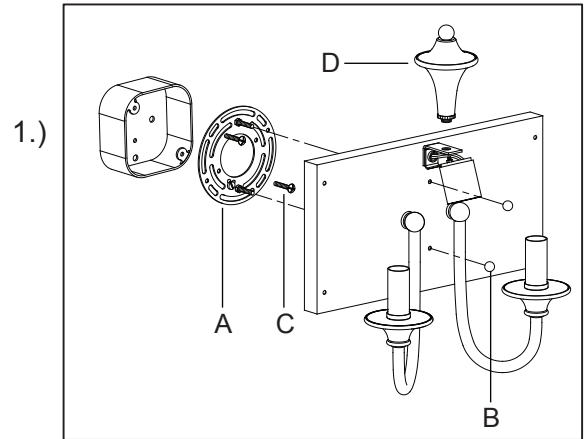
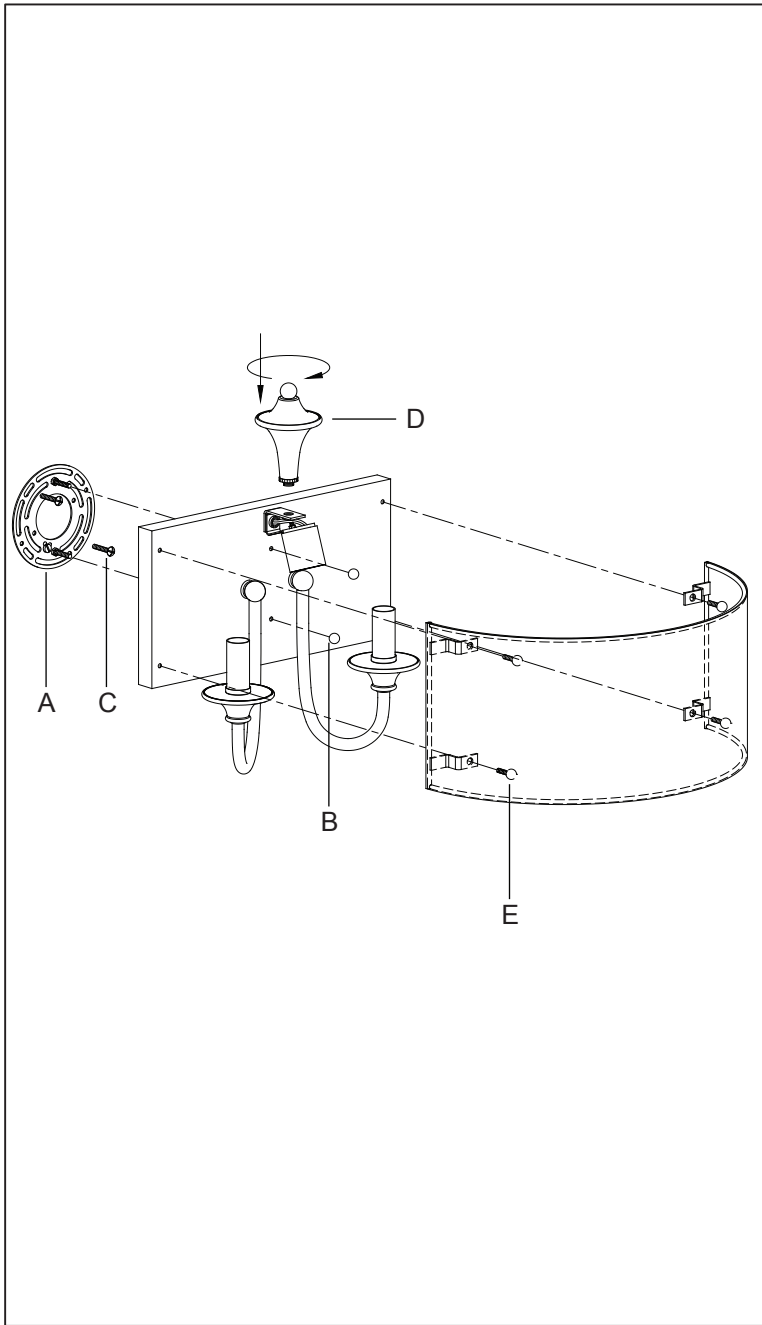


Bulb (not included): 1x60W Medium Base Bulb

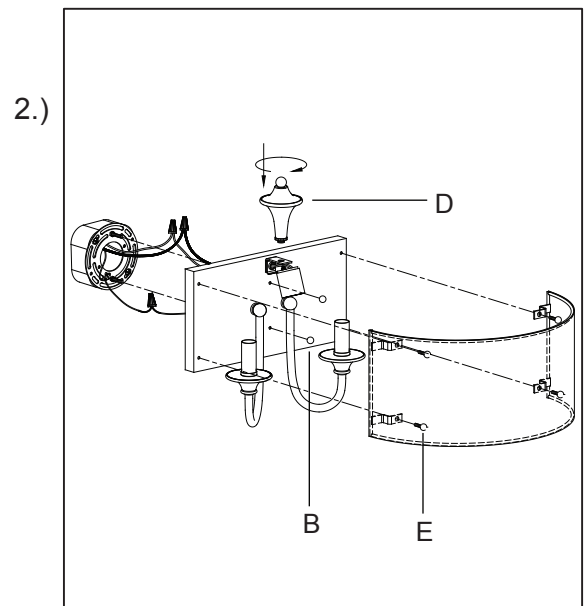
IMPORTANT: Turn off the power at the main fuse or circuit breaker box before starting installation



Locate all hardware & components before discarding packaging



Step1:Remove mounting bracket from fixture and install to electrical box.



Step2:Wire fixture to wires in outlet box. Copper wire is for Ground. Attach canopy to mounting bracket and tighten with ball nuts.Place shade on the Base and tighten with the Ball Screws.Screw the Decorating part (D) into the Base and tighten.

Cleaning & Care:
Clean with soft cloth and a mild detergent.
Do not use abrasive cleaner.