

#### Features

- Vitreous china.
- Wall-mount.
- Rectangular basin.
- Single basin.
- Single faucet hole.
- 28" (711 mm) x 22" (559 mm)

#### Recommended Accessories

K-1814-P Wall-Mount Sink Brackets

#### Optional Accessories

K-9000 P-Trap

K-9115 Sink Strainer



#### Codes/Standards

ASME A112.19.2/CSA B45.1

#### KOHLER® One-Year Limited Warranty

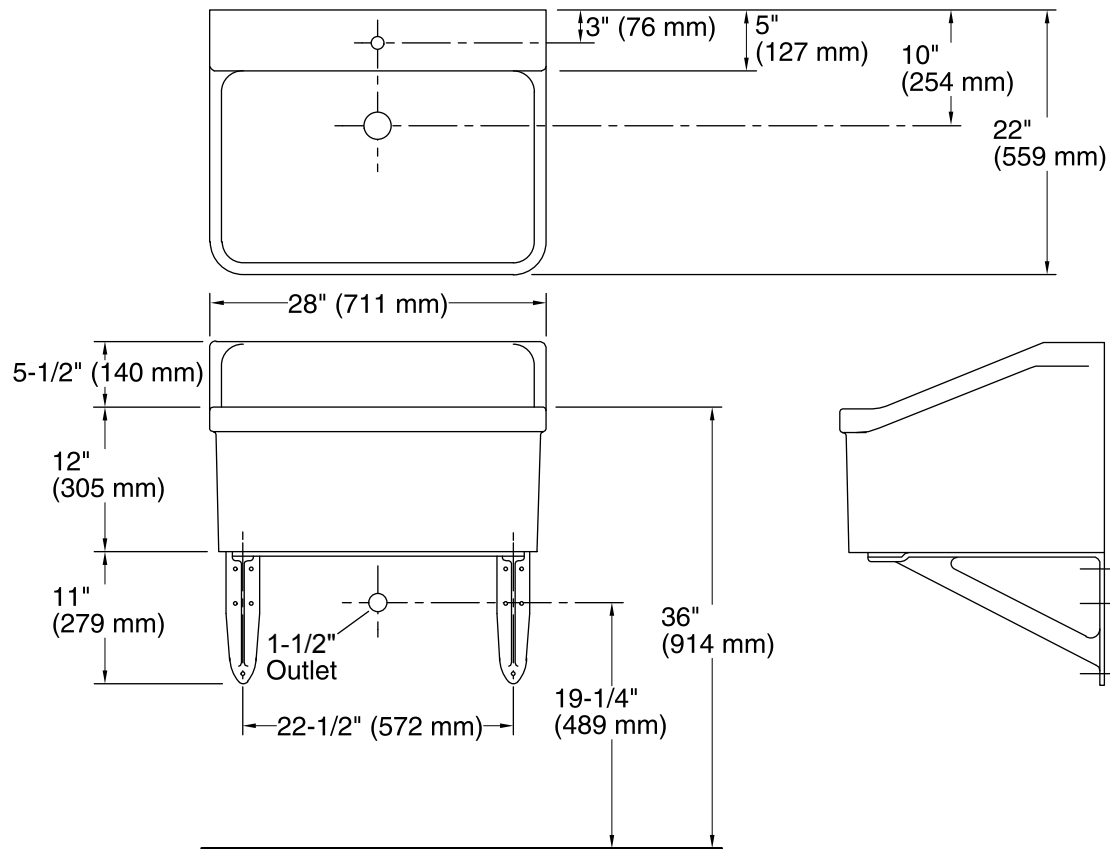
See website for detailed warranty information.

#### Available Color/Finishes

*Color tiles intended for reference only.*

Color	Code	Description
-------	------	-------------

	0	White
--	---	-------



### Technical Information

All product dimensions are nominal.

Bowl configuration:	Single
Installation:	Top-mount
Bowl area (Only):	Length: 26" (660 mm) Width: 16" (406 mm) Water depth: 11-1/8" (283 mm)
Number of deck holes:	1
Faucet hole(s):	1-3/8" (35 mm)
Drain hole:	2-1/4" (57 mm)

### Notes

Install this product according to the installation instructions.