

Features

- Available with lever handle.

Material

- Brass construction.

Installation

- Bath-mount or deck-mount installation options.

Required Products/Accessories

K-408-K Bath-mount Transfer Valve

or

K-409-K Deck-mount Transfer Valve



ADA

CSA B651

OBC

Codes/Standards

ASME A112.18.1/CSA B125.1

ADA

ICC/ANSI A117.1

CSA B651

OBC

KOHLER® Faucet Lifetime Limited Warranty

See website for detailed warranty information.

Available Colors/Finishes

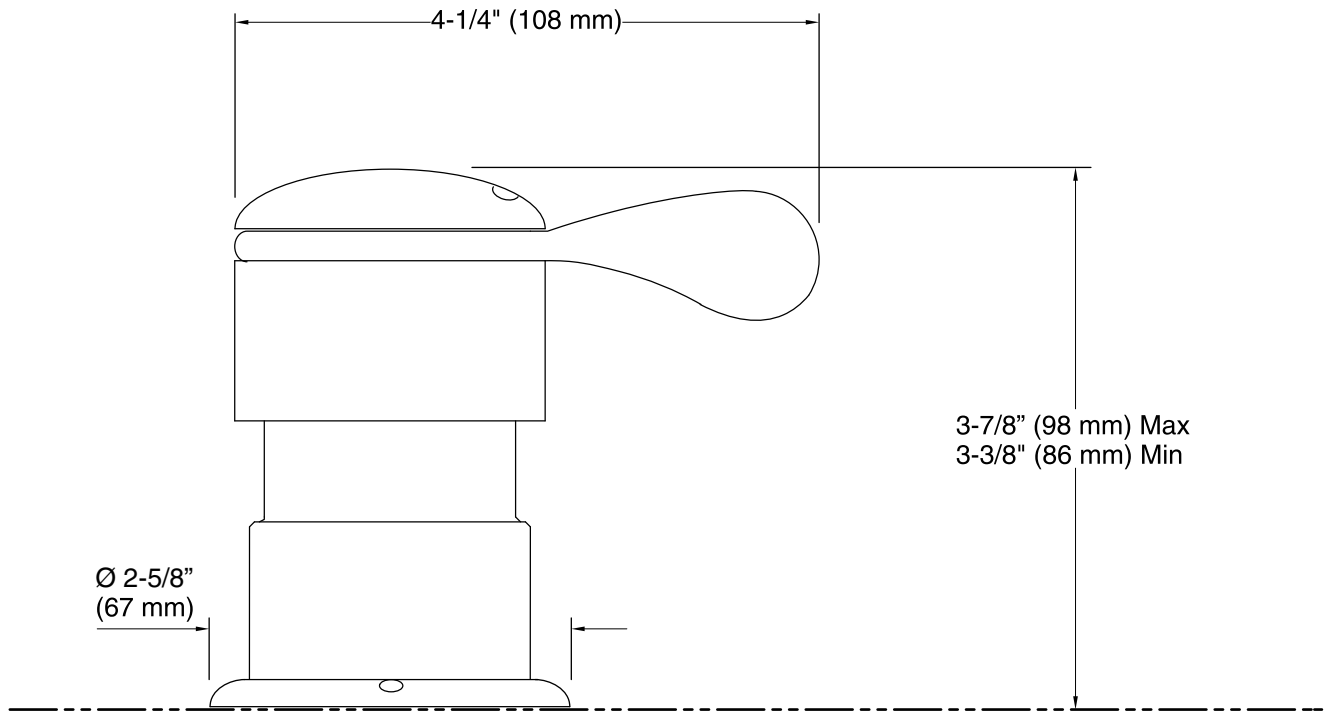
Color tiles intended for reference only.

Color	Code	Description
-------	------	-------------



CP	Polished Chrome
----	-----------------

BN	Vibrant® Brushed Nickel
----	-------------------------



Technical Information

All product dimensions are nominal.

Notes

Install this product according to the installation instructions.

Bath and handshower outlets required for two-way transfer valve.

Bath, handshower, and auxiliary outlets required for three-way transfer valve.

When used as a two-way transfer valve (bath and handshower), the installer must cap the auxiliary outlet. Do not install spouts with flow restrictors or shower units on the bath outlet.

For installation on cast iron baths, collar should be installed with flange facing downward. Opening in cast iron must be 1-7/8" D. minimum.

ADA, OBC, CSA B651 compliant when installed to the specific requirements of these regulations.