

Features

- Includes face plate with Industrial handle.
- Single handle controls temperature setting.
- Supplied with metal Industrial handle.
- Complements the Components faucet and accessory collections.

Material

- Premium material construction with metal handle ensures reliability and durability.
- KOHLER finishes resist corrosion and tarnishing, exceeding industry durability standards.

Installation

- Trim set requires valve to complete installation.
- Patented K-joint installation technology ensures consistent trim appearance, regardless of variability in valve rough-in.

Required Accessories

K-2972-KS 1/2" Thermostatic Mixing Valve

or

K-2975-KS 3/4" Thermostatic Mixing Valve



Codes/Standards



ASME A112.18.1/CSA B125.1

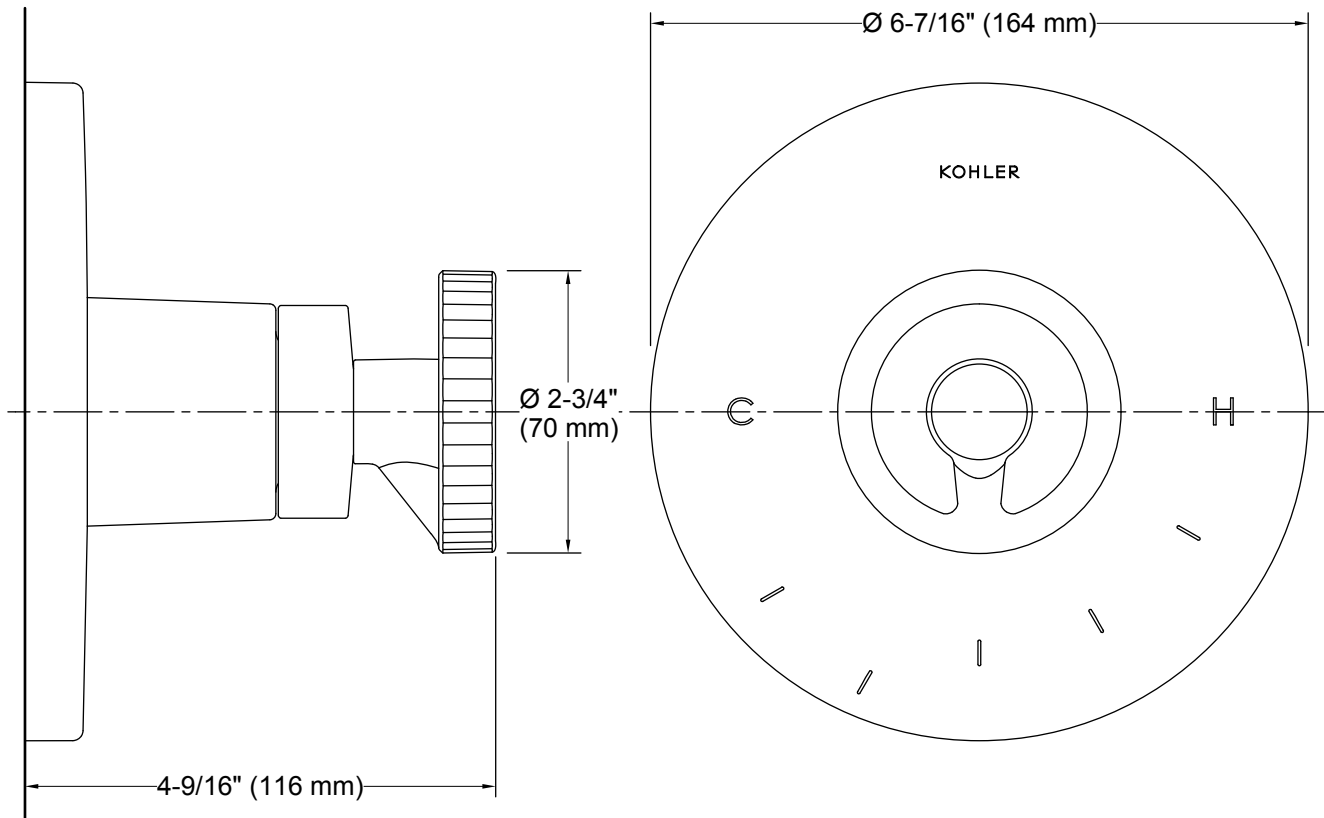
KOHLER[®] Faucet Lifetime Limited Warranty

See website for detailed warranty information.

Available Color/Finishes

Color tiles intended for reference only.

| Color | Code | Description |
|--|------|-----------------|
|  | CP | Polished Chrome |
|  | BL | Matte Black |



Technical Information

All product dimensions are nominal.

Notes

Install this product according to the installation instructions.