

### Features

- Includes face plate with lever handle.
- Single lever handle controls flow to outlets.
- When used with K-728 transfer valve, handle controls flow to two or three outlets individually or any two outlets at a time.
- When used with K-737 diverter valve, handle controls flow to two or three outlets individually (only one outlet at a time).
- Valve (not supplied) can be configured on site for two or three outlet operation.
- 360 degree handle rotation with three outlet operation.
- 120 degree handle rotation with two outlet operation.
- Complements the Composed faucet and accessory collections.
- Intended for use with K-728 Series MasterShower Transfer Valves.
- Intended for use with K-737 Series MasterShower Transfer Valves.

### Material

- Premium material construction with metal handle ensures reliability and durability

### Installation

- Trim set requires valve to complete installation.
- Patented K-joint installation technology ensures consistent trim appearance, regardless of variability in valve rough-in.

### Required Accessories

- K-2972-KS 1/2" Thermostatic Mixing Valve
- or
- K-2974-K 1/2" Volume Control Valve
- or
- K-2975-KS 3/4" Thermostatic Mixing Valve
- or
- K-2976-KS 3/4 Thermostatic Mixer
- or
- K-2977-K 3/4" Volume Control Valve
- or
- K-728-K 3/4" Two- or Three-Way Transfer Valve
- or
- K-737-K 3/4" Two- or Three-Way Diverter Valve



ADA

### Codes/Standards



ASME A112.18.1/CSA B125.1  
ADA  
ICC/ANSI A117.1

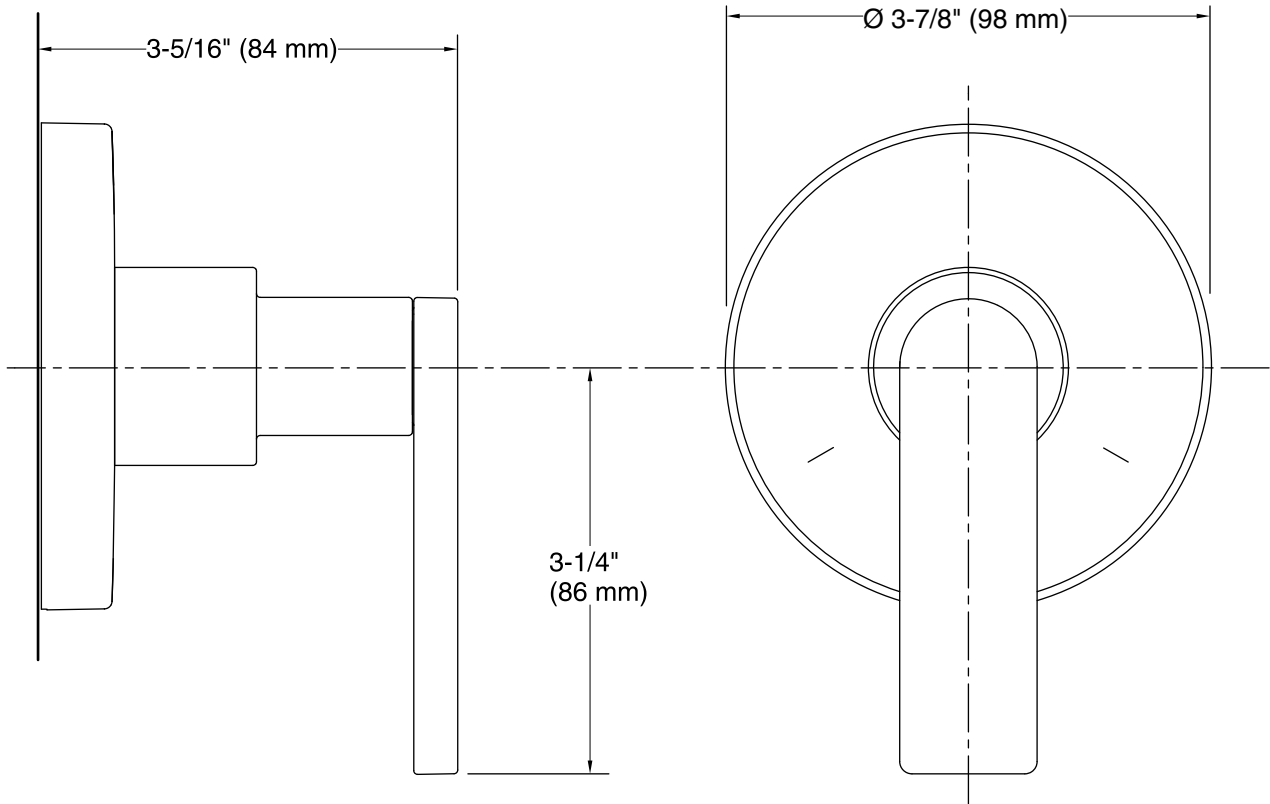
### KOHLER® Faucet Lifetime Limited Warranty

See website for detailed warranty information.

### Available Color/Finishes

*Color tiles intended for reference only.*

Color	Code	Description
	CP	Polished Chrome
	TT	Titanium



**Technical Information**

All product dimensions are nominal.

**Notes**

Install this product according to the installation guide.

ADA compliant when installed to the specific requirements of these regulations.