

Features

- Includes face plate with cross handle.
- Single cross handle controls flow to outlets.
- When used with K-728 transfer valve, handle controls flow to two or three outlets individually or any two outlets at a time.
- When used with K-737 diverter valve, handle controls flow to two or three outlets individually (only one outlet at a time).
- Valve (not supplied) can be configured on site for two or three outlet operation.
- 360 degree handle rotation with three outlet operation.
- 120 degree handle rotation with two outlet operation.
- Complements the Composed™ faucet collection and accessories.

Material

- Premium material construction with metal handle ensures reliability and durability.

Installation

- Trim set requires valve to complete installation.
- Patented K-joint installation technology ensures consistent trim appearance, regardless of variability in valve rough-in.

Required Accessories

- K-2972-KS 1/2" Thermostatic Mixing Valve
- or
- K-2974-K 1/2" Volume Control Valve
- or
- K-2975-KS 3/4" Thermostatic Mixing Valve
- or
- K-2976-KS 3/4" Thermostatic Mixer
- or
- K-2977-K 3/4" Volume Control Valve
- or
- K-728-K 3/4" Two- or Three-Way Transfer Valve
- or
- K-737-K 3/4" Two- or Three-Way Diverter Valve



Codes/Standards


ASME A112.18.1/CSA B125.1

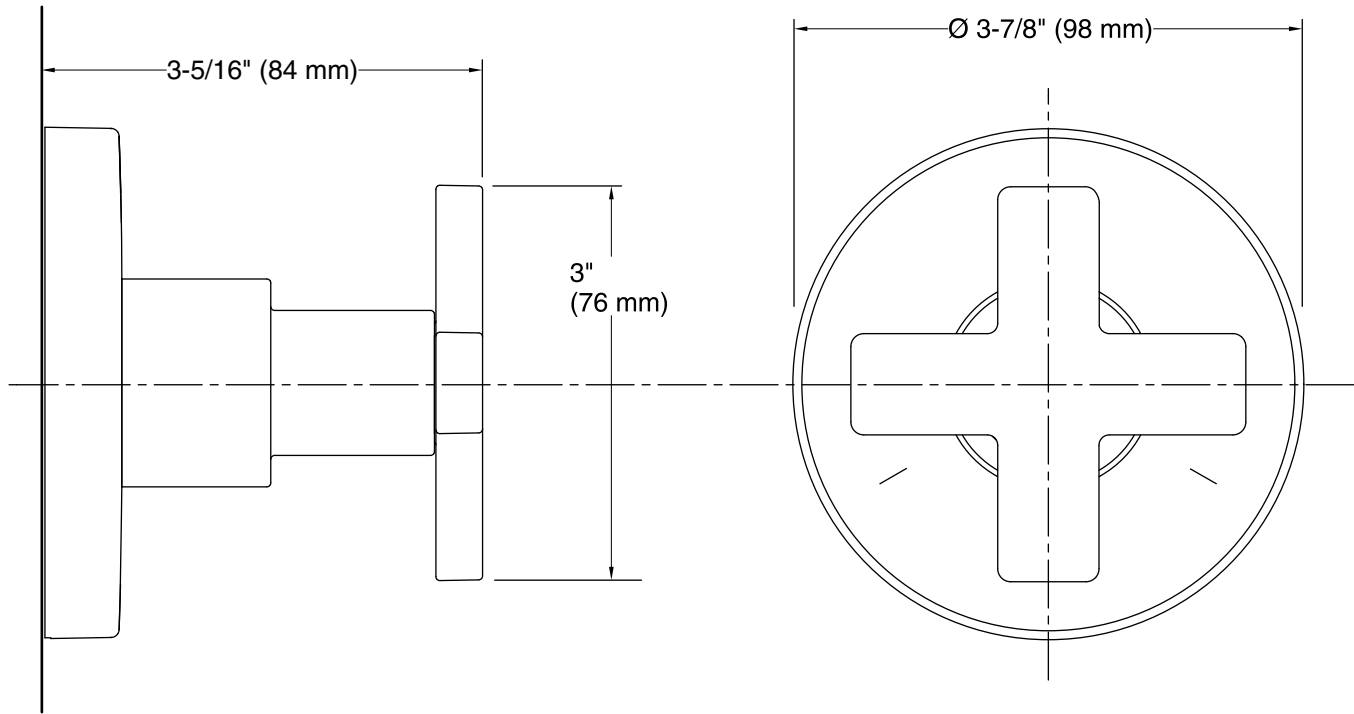
KOHLER® Faucet Lifetime Limited Warranty

See website for detailed warranty information.

Available Color/Finishes

Color tiles intended for reference only.

Color	Code	Description
	CP	Polished Chrome
	TT	Titanium



Technical Information

All product dimensions are nominal.

Notes

Install this product according to the installation guide.