

### Features

- Cross handles.
- Push-button diverter.
- 90° spout.
- NPT connection.
- KOHLER finishes resist corrosion and tarnishing, exceeding industry durability standards by over two times.
- Rite-Temp® pressure-balancing technology maintains water temperature within +/-3 degrees Fahrenheit.
- High-temperature limit stop allows you to preset a comfortable maximum temperature to eliminate scalding.
- Completes Purist design solution with KOHLER fixtures and accessories.

### Material

- Premium construction ensures durability and reliability.

### Required Accessories

K-304/K-P304 Series Rite-Temp® Valves

or

K-2971-KS 3/4" Pressure-balancing Valve

or

K-11748 Series Rite-Temp® Valves

### Optional Accessories

88526 Thin Wall Trim Kit

1016154 Right-Temp Deep Rough-In



### Codes/Standards

ASME A112.18.1/CSA B125.1

ASSE 1016






DOE - Energy Policy Act 1992

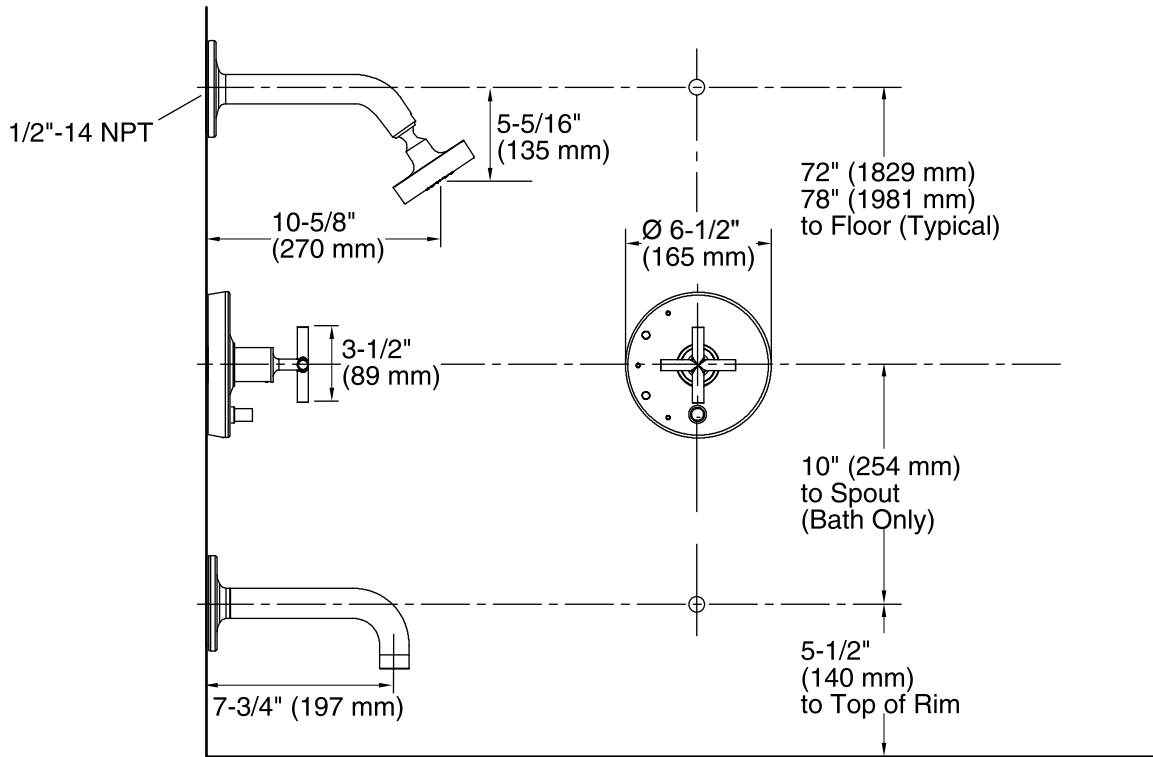
California Energy Commission (CEC)

See website for detailed warranty information.

### Available Color/Finishes

*Color tiles intended for reference only.*

Color	Code	Description
	CP	Polished Chrome
	SN	Vibrant® Polished Nickel
	BGD	Vibrant® Moderne Brushed Gold
	BN	Vibrant® Brushed Nickel
	BV	Vibrant® Brushed Bronze



### Technical Information

All product dimensions are nominal.

#### Showerhead:

Rated maximum flow: 2.5 gal/min (9.5 l/min)

Pressure: 80 psi (5.5 bar)

### Notes

Install this product according to the installation guide.

Avoid cross-flow conditions. Do not install shut-off device on either valve outlet.

Cap the shower outlet if deck-mount spout, diverter, or handshower is connected to the spout outlet.