

Features

- For use with valves with a diverter
- Complements Pinstripe® Suite
- Cross handle
- Requires a Rite-Temp® pressure-balancing valve
- 6-7/8" (175 mm) non-diverter spout with 1/2" NPT connection

Material

- Premium material construction

Installation

- Wall-mount

Required Accessories

K-11748 Series Rite-Temp® Valves

Adapters, Rough-in and Extension Kits

1061794

Optional Accessories

1061794 Roughing-In Kit for Rite-Temp® Valve



Codes/Standards

ASME A112.18.1/CSA B125.1

ASSE 1016

DOE - Energy Policy Act 1992

KOHLER® Faucet Lifetime Limited Warranty

See website for detailed warranty information.

Available Color/Finishes

Color tiles intended for reference only.

Color	Code	Description
-------	------	-------------



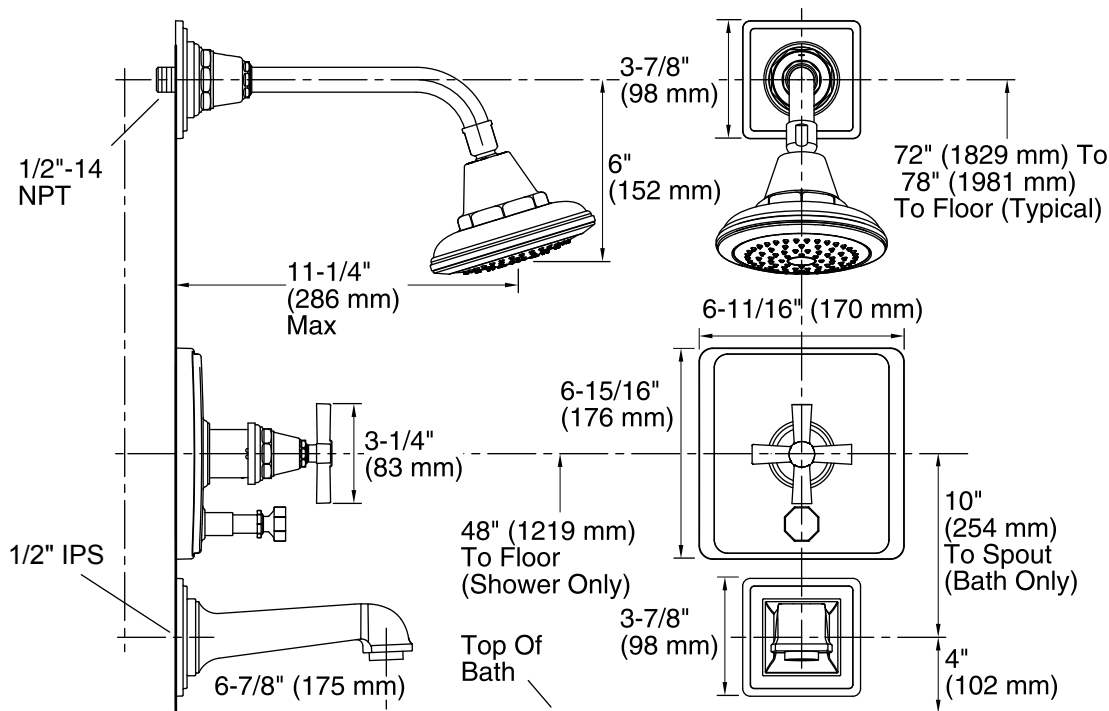
CP Polished Chrome



SN Vibrant® Polished Nickel



BN Vibrant® Brushed Nickel



Technical Information

All product dimensions are nominal.

Showerhead:

Rated maximum flow: 2.5 gal/min (9.5 l/min)

Pressure: 80 psi (5.5 bar)

Notes

Install this product according to the installation guide.

Avoid cross-flow conditions. Do not install shut-off device on either valve outlet.

Cap the shower outlet if deck-mount spout, diverter, or handshower is connected to the spout outlet.

Install straight pipe or tube drop of 7" (178 mm) to 18" (457 mm) with single elbow between the valve and wall-mount spout.