

Features

- Required for surface mounting of Verdera medicine cabinets.
- Includes two side mirrors and all hardware.

Material

- Mirrored glass construction.

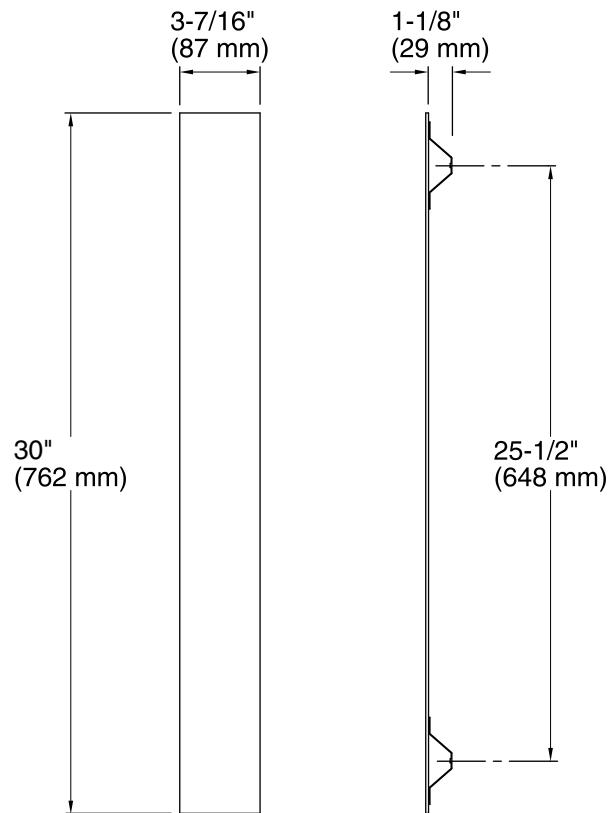


Codes/Standards

None Applicable

KOHLER® One-Year Limited Warranty

See website for detailed warranty information.



Technical Information

All product dimensions are nominal.

Notes

Install this product according to the installation guide.