

#### Features

- Cast iron with Safeguard® finish
- Right centered drain
- Removable drain cover
- Three tile-in flanges
- Alcove installation
- Complements traditional and contemporary bathroom designs
- 60" (1524 mm) x 34" (864 mm) x 4" (102 mm)

#### Required Accessories

K-9157

or

K-9159



#### Codes/Standards

ASME A112.19.1/CSA B45.2

#### KOHLER® Lifetime Limited Warranty for Cast Iron Components

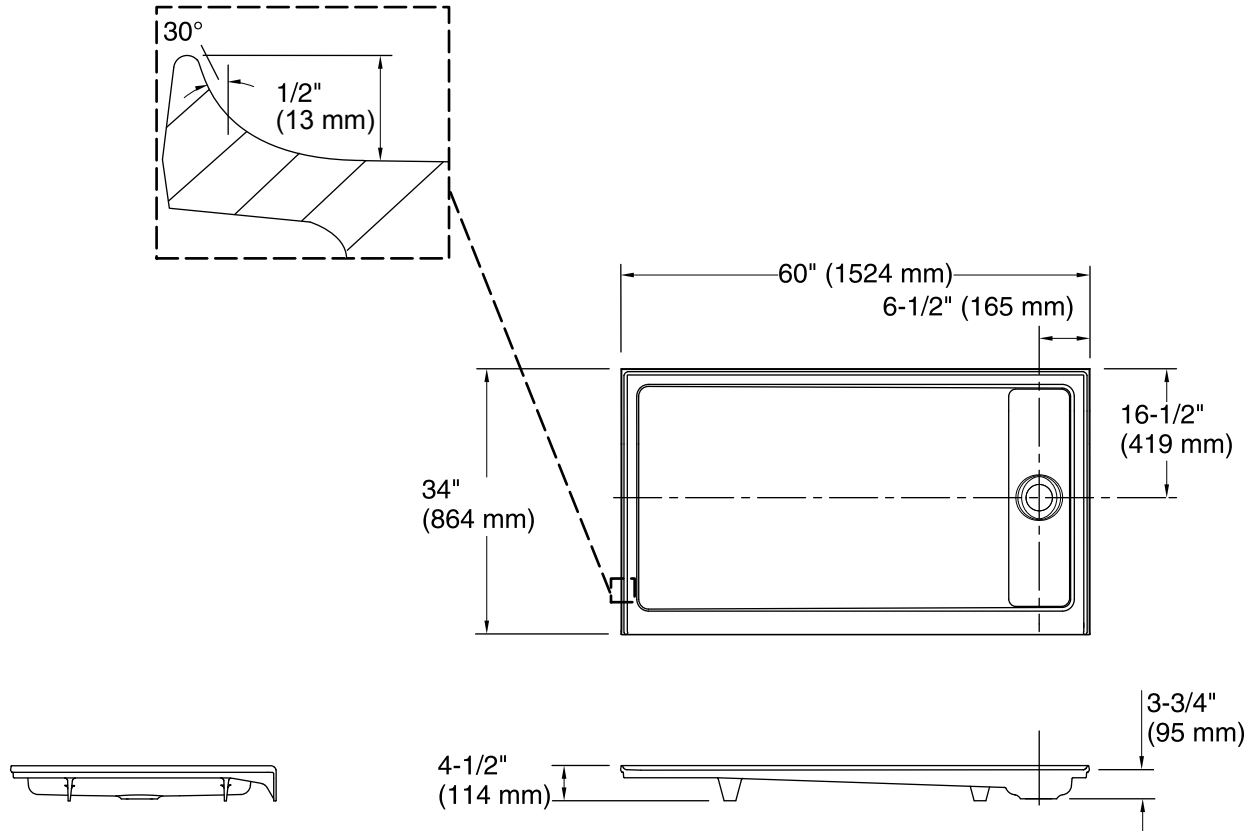
See website for detailed warranty information.

#### Available Color/Finishes

*Color tiles intended for reference only.*

Color	Code	Description
-------	------	-------------

	0	White
	96	Biscuit
	47	Almond
	NY	Dune
	95	Ice™ Grey
	G9	Sandbar



#### Technical Information

All product dimensions are nominal.

Installation: 3-Wall Alcove

Drain location: Right

Weight: 193 lbs (87.5 kg)

#### Notes

Install this product according to the installation guide.

The dimensions are applicable for this product only and should not be used to fabricate substitute bases for shower enclosures.

The K-1657/K-1663 or K-1708/K-1647-PC steam generator/control kit are designed for use with this product. Kohler Co. shall not be responsible for problems encountered due to the installation and use of other manufacturer's steam generators.