



## Bellwether® Bellwether®

Shower Base  
K-9164

### Features

- Cast iron with Safeguard® finish
- Integral flange.
- Right centered drain
- Removable drain cover.
- Complements traditional and contemporary bathroom designs
- 60" (1524 mm) x 32" (813 mm) x 4" (102 mm)

### Installation

- Alcove

### Required Accessories

K-9155

or

K-9156



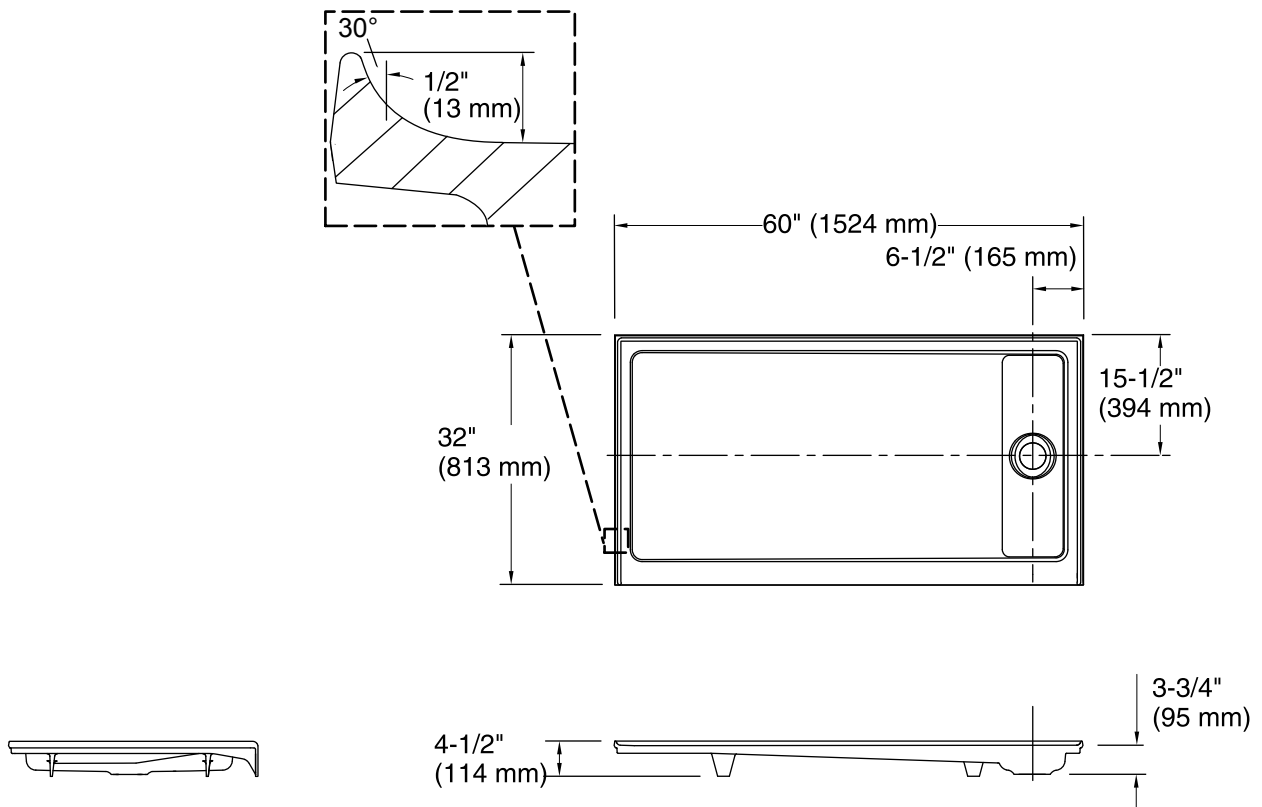
### Codes/Standards

ASME A112.19.1/CSA B45.2

ASTM F462

### KOHLER® Lifetime Limited Warranty for Cast Iron Components

See website for detailed warranty information.



#### Technical Information

All product dimensions are nominal.

Installation: 3-Wall Alcove  
 Drain location: Right  
 Drain hole diameter: 3-3/8" (86 mm)  
 Weight: 180 lbs (81.6 kg)

#### Notes

Measure your actual product for rough-in details.

Install this product according to the installation instructions.

The dimensions are applicable for this product only and should not be used to fabricate substitute bases for shower enclosures.

The K-1657/K-1663 or K-1708/K-1647-PC steam generator/control kit are designed for use with this product. Kohler Co. shall not be responsible for problems encountered due to the installation and use of other manufacturer's steam generators.