

Features

- Brass construction.
- 1-1/2" OD (38 mm) brass tailpiece.
- Removable perforated strainer.



Codes/Standards

ASME A112.18.2/CSA B125.2

KOHLER® One-Year Limited Warranty

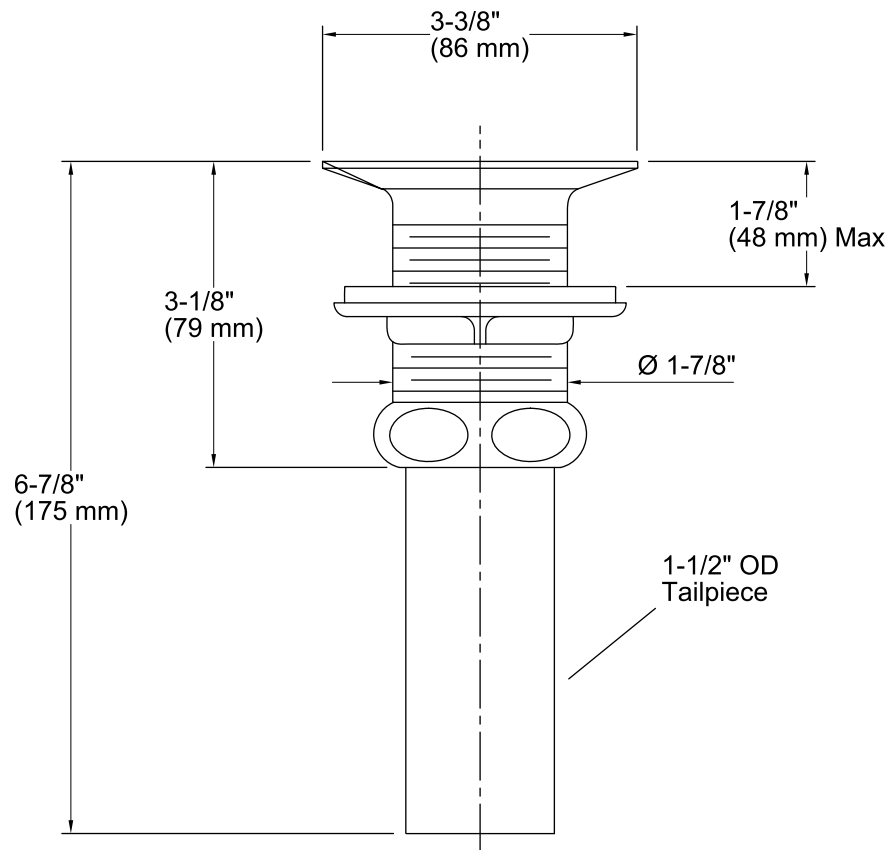
See website for detailed warranty information.

Available Color/Finishes

Color tiles intended for reference only.

Color	Code	Description
-------	------	-------------

	CP	Polished Chrome
--	----	-----------------



Technical Information

All product dimensions are nominal.

Drain tailpiece included: YES

Notes

Install this product according to the installation guide.