

### Features

- Integral flange.
- Left drain.
- Integral lumbar support.
- Integral apron.
- 60" (1524 mm) x 32" (813 mm) x 15-1/2" (394 mm)

### Material

- Cast iron with Safeguard® finish.

### Installation

- Alcove

### Required Accessories

K- 37383 30" Rough-in Cable Bath Drain

### Recommended Accessories

- K- 952 Wall-mount Non-diverter Bath Spout
- K- 10044 Wall-mount Non-diverter Bath Spout
- K- 14426 35° Bath spout
- K- 14427 90° Bath spout
- K- 15137 Wall-mount Non-diverter Bath Spout
- K-15138
- K- 16246 Wall-mount Non-diverter Bath Spout



ADA

CSA B651

OBC

### Codes/Standards

ASME A112.19.1/CSA B45.2  
ASTM F462  
ADA  
ICC/ANSI A117.1  
CSA B651  
OBC






### KOHLER® Lifetime Limited Warranty for Cast Iron Components

See website for detailed warranty information.

### Available Color/Finishes

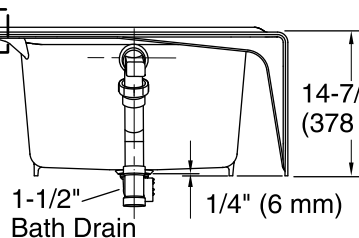
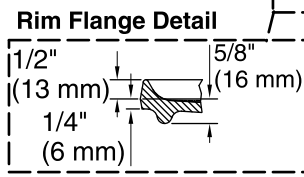
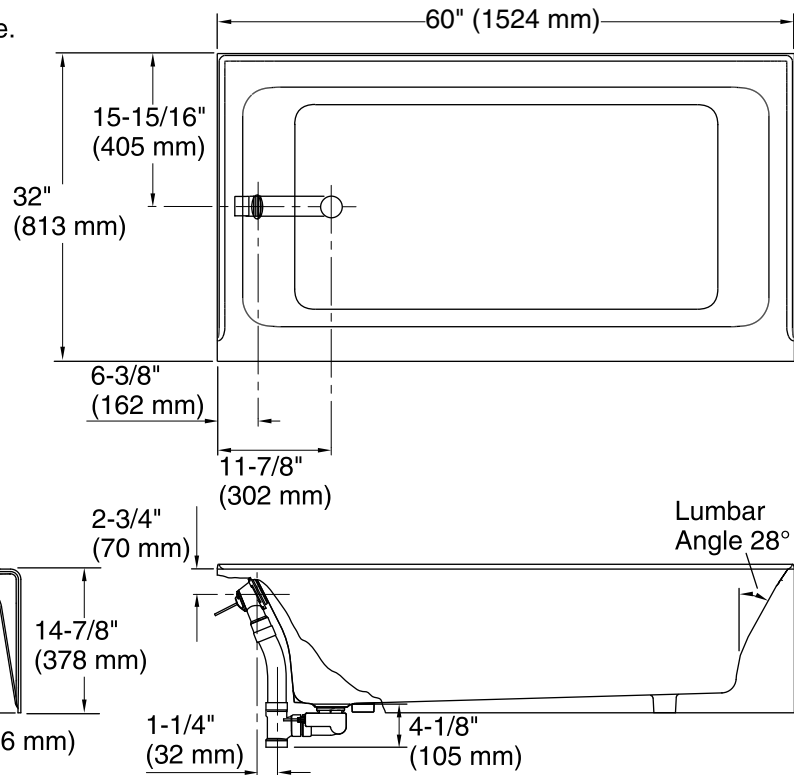
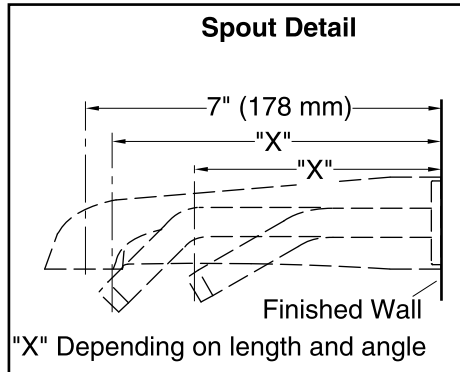
*Color tiles intended for reference only.*

#### Color Code Description

	0	White
	96	Biscuit
	47	Almond
	NY	Dune
	G9	Sandbar

**Note:** To clear the bath rim end wall, a minimum 7" (178 mm) bath spout is recommended. Water flow from angled bath spouts less than 7" (178 mm) may also provide needed clearance.

No change in measurements if connected with drain illustrated. (K-37383)



### Technical Information

All product dimensions are nominal.

- Installation: 3-Wall Alcove
- Drain location: Left
- Basin area, bottom: 43-7/8" x 21" (1114 mm x 533 mm)
- Basin area, top: 51-1/4" x 23-5/16" (1302 mm x 592 mm)
- Weight: 327 lbs (148.3 kg)
- Minimum floor load: 52 lbs/ft<sup>2</sup> (253.9 kg/m<sup>2</sup>)
- Water depth: 11-5/16" (287 mm)
- Water capacity: 44 gal (166.6 L)
- Minimum flat for door: 2-1/2" (64 mm)

### Notes

- Measure your actual product for rough-in details.
- Install this product according to the installation instructions.
- The hot water supply should be 70% of the capacity of the bath or greater. Installations will vary.
- ADA, OBC, CSA B651 compliant when installed to the specific requirements of these regulations.