

Features

- 36-inch minimum base cabinet width.
- Double equal bowl.
- Three oversized faucet holes with one oversized accessory hole to the right and one oversized accessory hole to the left.
- 9 inch depth.
- Includes cutout templates.

Material

- KOHLER enameled cast iron.

Installation

- Under-mount.

Recommended Accessories

K- 9000 P-Trap

Optional Accessories

K- 8801 Sink Strainer

Components

Product includes:

- K- 6239 Colander with Cutting Board
- K- 9238 Stainless Steel Sink Rack
- K- 6194 Utility Rack with Soaking Cup



Codes/Standards




ASME A112.19.1/CSA B45.2

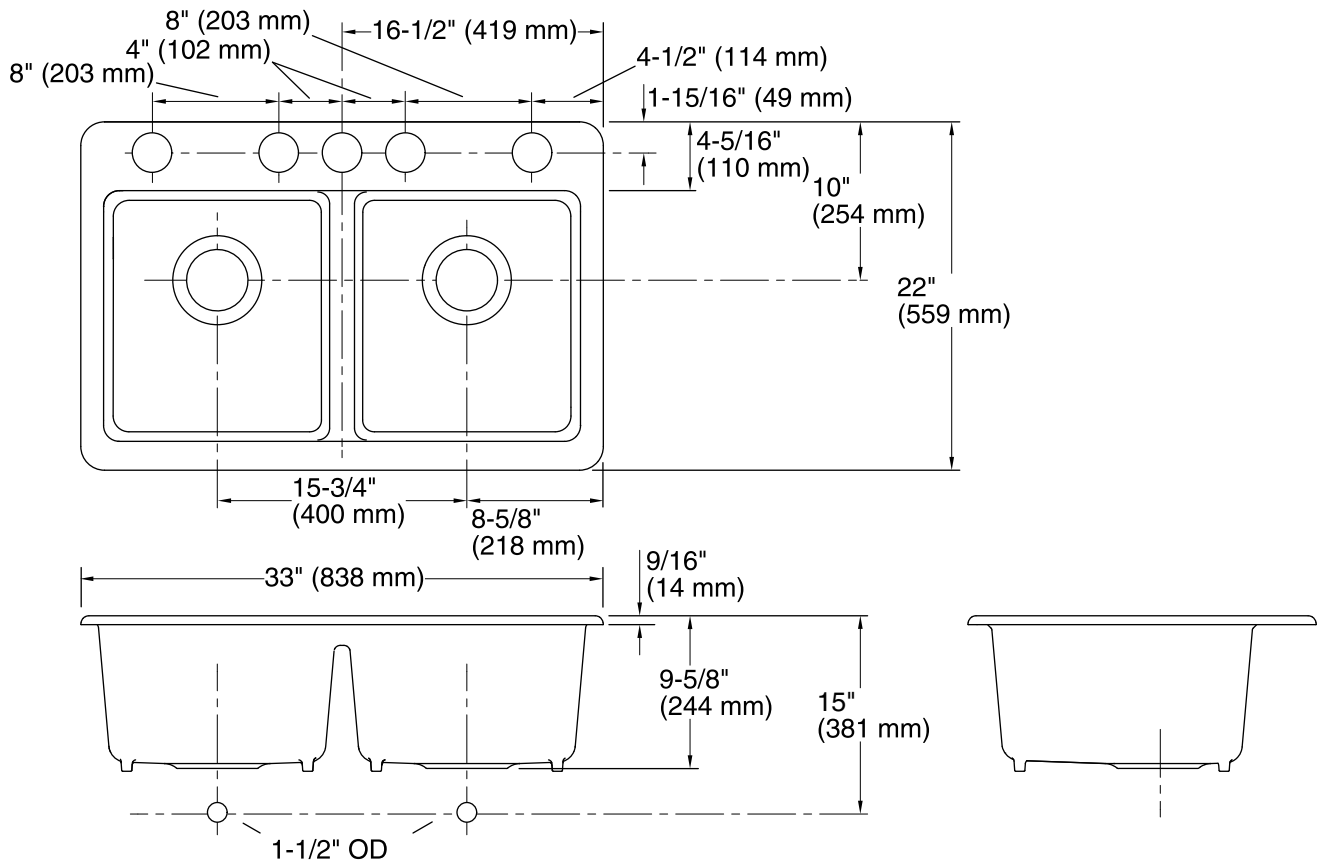
KOHLER® Enameled Cast Iron Kitchen Sink - Lifetime Limited Warranty

See website for detailed warranty information.

Available Color/Finishes

Color tiles intended for reference only.

| Color | Code | Description |
|--|------|---------------|
|  | 0 | White |
|  | FF | Sea Salt™ |
|  | 96 | Biscuit |
|  | 47 | Almond |
|  | FD | Cane Sugar™ |
|  | NY | Dune |
|  | 95 | Ice™ Grey |
|  | G9 | Sandbar |
|  | 33 | Mexican Sand™ |
|  | K4 | Cashmere |
|  | FT | Basalt |
|  | 58 | Thunder™ Grey |
|  | 20 | Suede |
|  | KA | Black 'n Tan |
|  | FP | Caviar |
|  | 7 | Black Black™ |



Technical Information

All product dimensions are nominal.

| | |
|-------------------|---------------------------|
| Bowl area (Left) | Length: 14-5/16" (363 mm) |
| | Width: 17-1/4" (438 mm) |
| | Bowl depth: 9" (229 mm) |
| | Water depth: 9" (229 mm) |
| Bowl area (Right) | Length: 14-5/16" (363 mm) |
| | Width: 17-1/4" (438 mm) |
| | Bowl depth: 9" (229 mm) |
| | Water depth: 9" (229 mm) |

Number of deck holes: 5

Template: Under-mount, 1166727-7, required, included

Notes

Install this product according to the installation guide.