



Persuade® Curv
 Comfort Height® Dual Flush Toilet
K-75790

Features

- Vitreous china.
- Comfort Height® Elongated bowl.
- Dual Flush flushing system.
- Includes left-hand polished chrome dual flush trip lever.
- 1.6 gpf (6.0 lpf) full flush or 1.0 gpf (3.8 lpf) partial flush.
- Fully skirted trapway.
- Patented ReadyLock™ installation system.
- 12" (305 mm) rough-in.
- Seat not included.
- 4-1/2" (114 mm) x 5-3/4" (146 mm) water area.
- 28-5/8" (727 mm) x 14-3/16" (360 mm) x 32-1/2" (826 mm).
- Floor mount / Floor outlet.
- Coordinates with other products in the Persuade collection.

Recommended Accessories

- K-5588 Purefresh® Elongated Toilet Seat
- K-4008 Reveal® Quiet-Close™ Elongated Toilet Seat
- K-4636 Cachet® Quiet-Close™ Elongated Toilet Seat

Components

Product includes:

- K-4326 Skirted Trapway Bowl
- K-19042 Toilet Tank

Additional included component/s: Tank cover, Left-hand dual flush trip lever, ReadyLock™ installation system, and Hardware kit.



ADA **CSA B651** **OBC**

Codes/Standards

- ASME A112.19.14
- ASME A112.19.2/CSA B45.1
- DOE - Energy Policy Act 1992
- EPA WaterSense®
- California Energy Commission (CEC)
- ADA
- ICC/ANSI A117.1
- CSA B651
- OBC

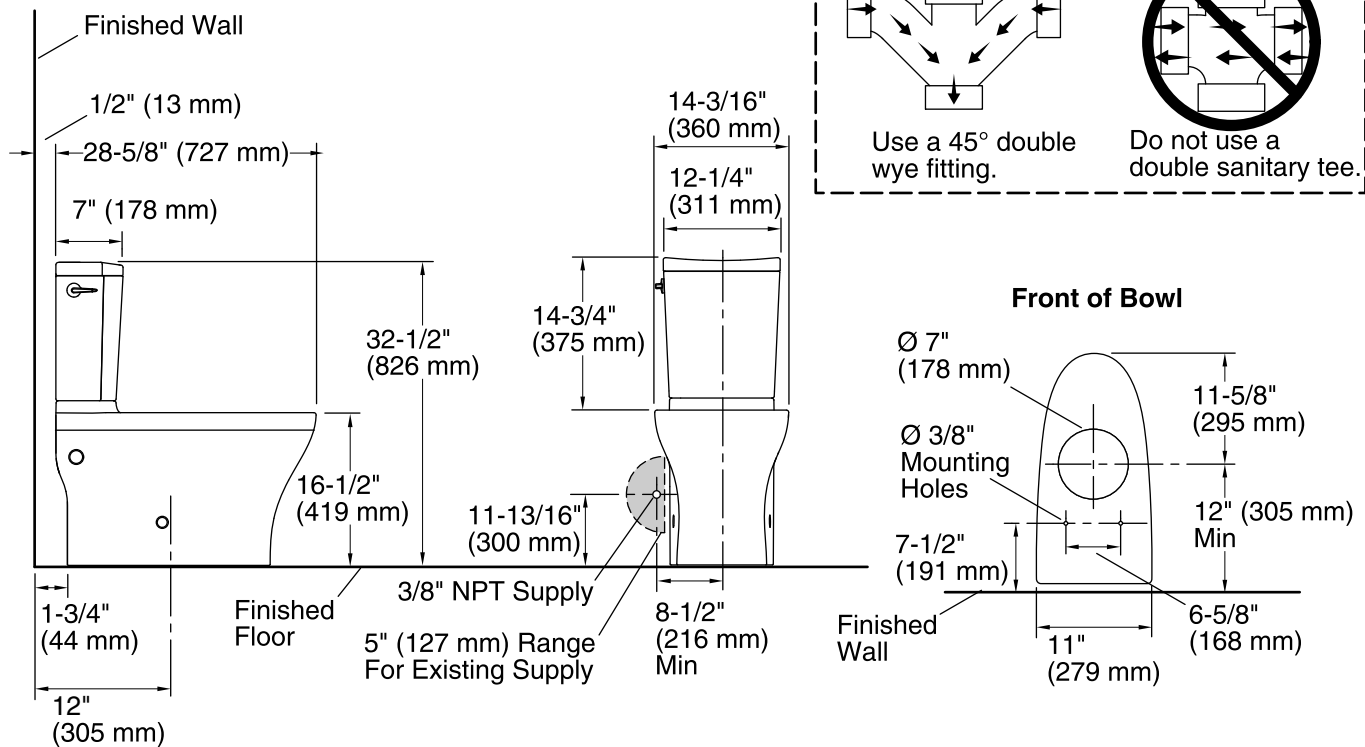
KOHLER® One-Year Limited Warranty

See website for detailed warranty information.

Available Color/Finishes

Color tiles intended for reference only.

Color	Code	Description
	0	White
	96	Biscuit
	47	Almond
	NY	Dune
	95	Ice™ Grey
	7	Black Black™



Technical Information

All product dimensions are nominal.

Toilet type:	Two-piece, Floor-mount
Waste Outlet:	Floor
Bowl shape:	Elongated front
Trap passageway:	2" (51 mm)
Water Consumption	
Full:	1.6 gpf (6 lpf)
Reduced:	1 gpf (3.8 lpf)
Water surface size:	4-1/2" x 5-3/4" (114 mm x 146 mm)
Rim to water surface:	8-1/2" (216 mm)
Rough-in:	12" (305 mm)
Seat-mounting holes:	5-1/2" (140 mm)

Notes

Install this product according to the installation instructions.

IMPORTANT! The rough-in must be 12" (305 mm) or more from the base of the wall or baseboard. Install or relocate the supply and outlet as necessary to conform to rough-in dimensions.

If this toilet is installed in new construction, install a new supply stop following the dimensions in the diagram.

In installations with the supply stop installed, the existing supply stop may need to be relocated if it is less than 8-1/2" (216 mm) from the centerline of the toilet. Dry fit the toilet to confirm if the supply stop needs to be relocated.

The supplied hose will extend roughly 6" (152 mm) from the toilet. If the supplied hose does not reach the supply stop, a longer supply hose may be used.

For back-to-back toilet installations: Use only a 45° double wye fitting.