



Composed®
Vertical Toilet Tissue Holder
K-73148

Features

- Vertical holder makes changing toilet tissue quick and simple.
- Premium metal construction for durability.
- KOHLER finishes resist corrosion and tarnish.
- Coordinates with faucets and accessories in the Composed collection.



Codes/Standards



None Applicable

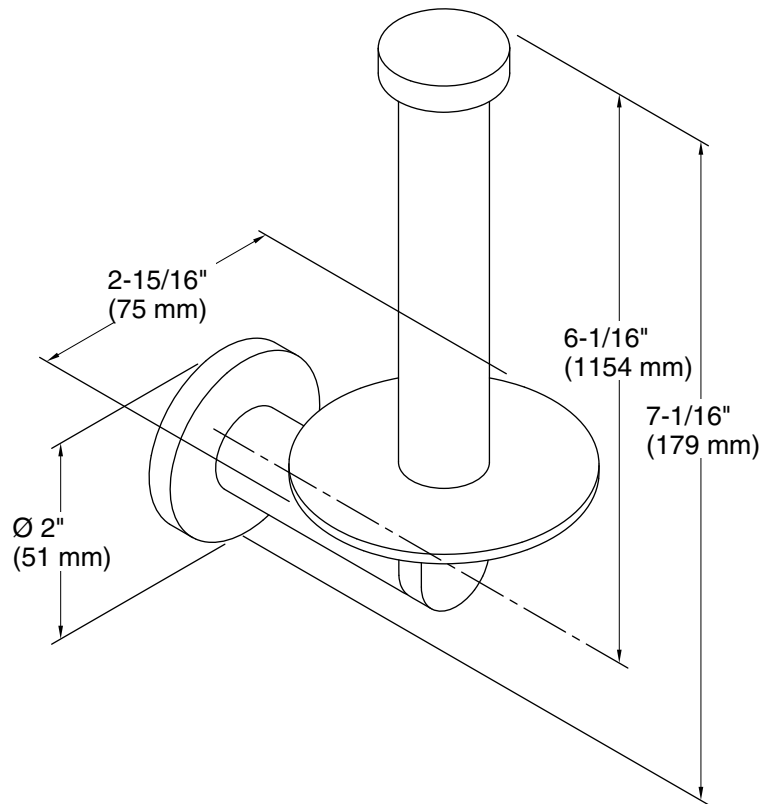
KOHLER® Faucet Lifetime Limited Warranty

See website for detailed warranty information.

Available Colors/Finishes

Color tiles intended for reference only.

Color	Code	Description
	CP	Polished Chrome
	TT	Titanium



Technical Information

All product dimensions are nominal.

Material: Zinc, Brass

Notes

Install this product according to the installation guide.