

Features

- Metal construction.
- ADA compliant lever handles.
- NEW Quick-Connect hose connections make widespread faucet installation a snap.
- Handles pre-assembled on valves simplify installation.
- Leak-free ceramic disc valves exceed industry standards by two times for a lifetime of use.
- Stationary spout.
- For 8" (203 mm) or 16" (406 mm) spout reach.
- Durable KOHLER finishes resist corrosion and tarnishing.
- Complete range of faucets, accessories and showering components to coordinate a full bathroom.
- 1.2 gal/min (4.5 l/min) maximum flow rate [max at 60 psi (4.1 bar)]



ADA

CSA B651

OBC

Codes/Standards

ASME A112.18.1/CSA B125.1

NSF 61

NSF 372

All applicable US Federal and State material regulations

DOE - Energy Policy Act 1992

EPA WaterSense®

California Energy Commission (CEC)

ADA

ICC/ANSI A117.1

CSA B651

OBC



KOHLER® Faucet Lifetime Limited Warranty

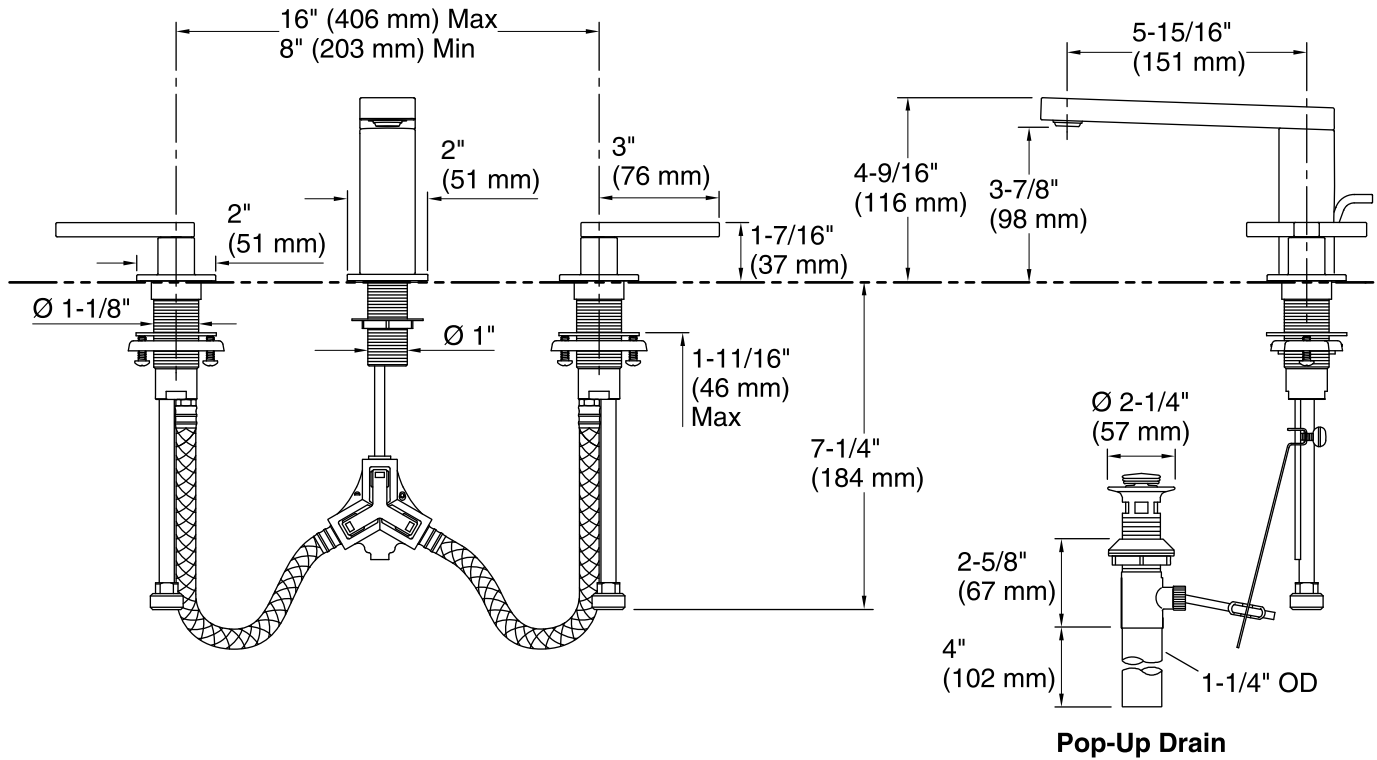
See website for detailed warranty information.

Available Color/Finishes

Color tiles intended for reference only.

Color	Code	Description
-------	------	-------------

- | | | |
|--|----|-----------------|
|  | CP | Polished Chrome |
|  | TT | Titanium |



Technical Information

All product dimensions are nominal.

Valve body: Machined Brass

Drain with overflow: YES

Drain tailpiece included: YES

included:

Spout:

Spout reach: 5-15/16" (151 mm)

Handle clearance: 3" (76 mm)

Faucet:

Flow rate: 1.2 gal/min (4.5 l/min)

Pressure: 60 psi (4.1 bar)

Notes

Install this product according to the installation guide.

ADA, OBC, CSA B651 compliant when installed to the specific requirements of these regulations.