

Features

- Metal construction.
- Cylindrical handle with unique actuation.
- Leak-free ceramic disc valves exceed industry standards by two times for a lifetime of use.
- Temperature memory allows faucet to be turned on and off at any temperature setting.
- High-temperature limit setting for added safety.
- Single-hole mounting.
- Durable KOHLER finishes resist corrosion and tarnishing.
- Complete range of faucets, accessories and showering components to coordinate a full bathroom.
- 1.2 gal/min (4.5 l/min) maximum flow rate [max at 60 psi (4.1 bar)]
- Not for use with Lavatories with centerset drillings



Codes/Standards



ASME A112.18.1/CSA B125.1
All applicable US Federal and State material regulations
DOE - Energy Policy Act 1992
EPA WaterSense®
California Energy Commission (CEC)

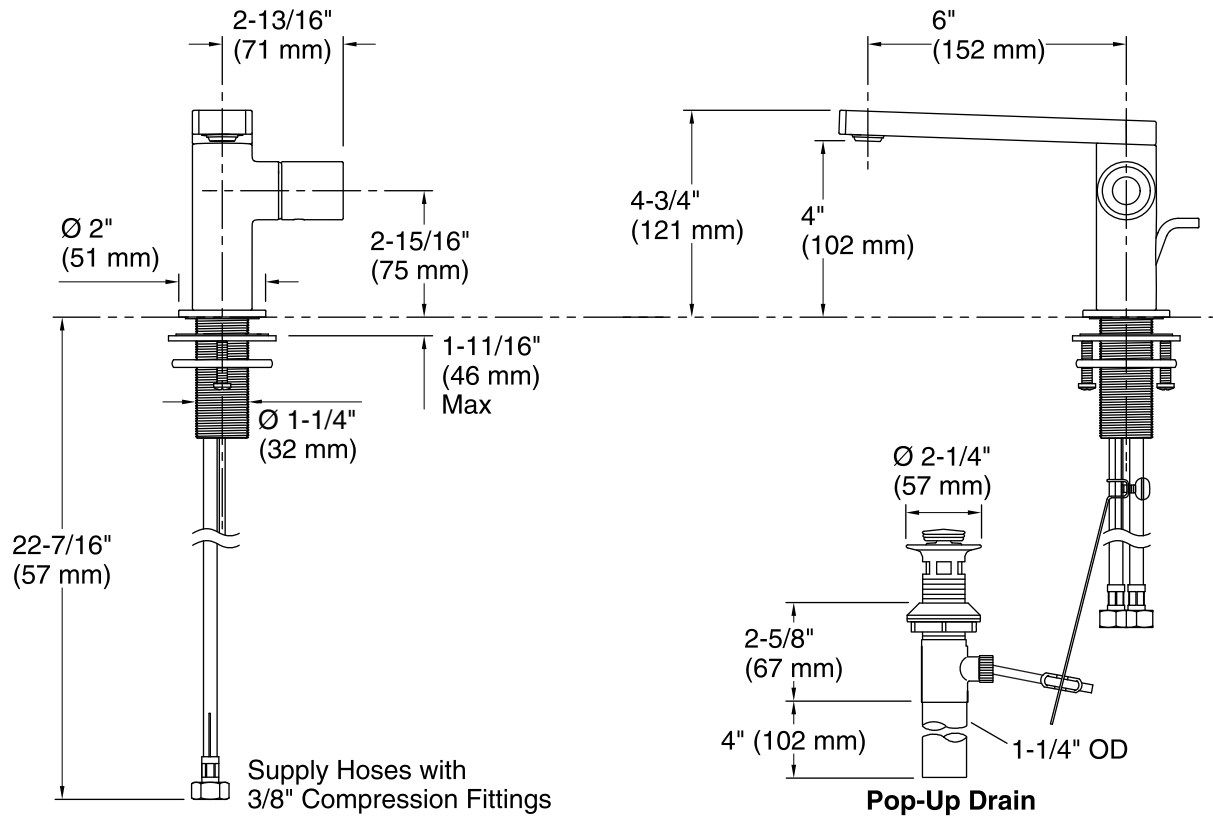
KOHLER® Faucet Lifetime Limited Warranty

See website for detailed warranty information.

Available Color/Finishes

Color tiles intended for reference only.

Color	Code	Description
	CP	Polished Chrome
	TT	Titanium



Technical Information

All product dimensions are nominal.

Valve body: Cast Brass

Drain with overflow: YES

Drain tailpiece included: YES

Spout:

Spout reach: 5-15/16" (151 mm)

Faucet:

Flow rate: 1.2 gal/min (4.5 l/min)

Pressure: 60 psi (4.1 bar)

Notes

Install this product according to the installation guide.