



Whitehaven® Hayridge®

30" Sink with Tall Apron

K-7251

Features

- 30-inch minimum base cabinet width.
- Acid-resistant enamel finish.
- Single bowl.
- No faucet holes.
- Offset drain basin slopes toward drain to minimize water from pooling.
- 29-11/16" (754 mm) x 21-9/16" (548 mm)
- Decorative apron pattern.

Material

- KOHLER® enameled cast iron.

Installation

- Under-mount
- Self-Trimming® apron overlaps cabinet face for easy installation and beautiful results.

Recommended Accessories

K-9000 P-Trap

Optional Accessories

K-6638 Sink Rack

K-8801 Sink Strainer



Codes/Standards

ASME A112.19.1/CSA B45.2


KOHLER® Lifetime Limited Warranty for Cast Iron Components

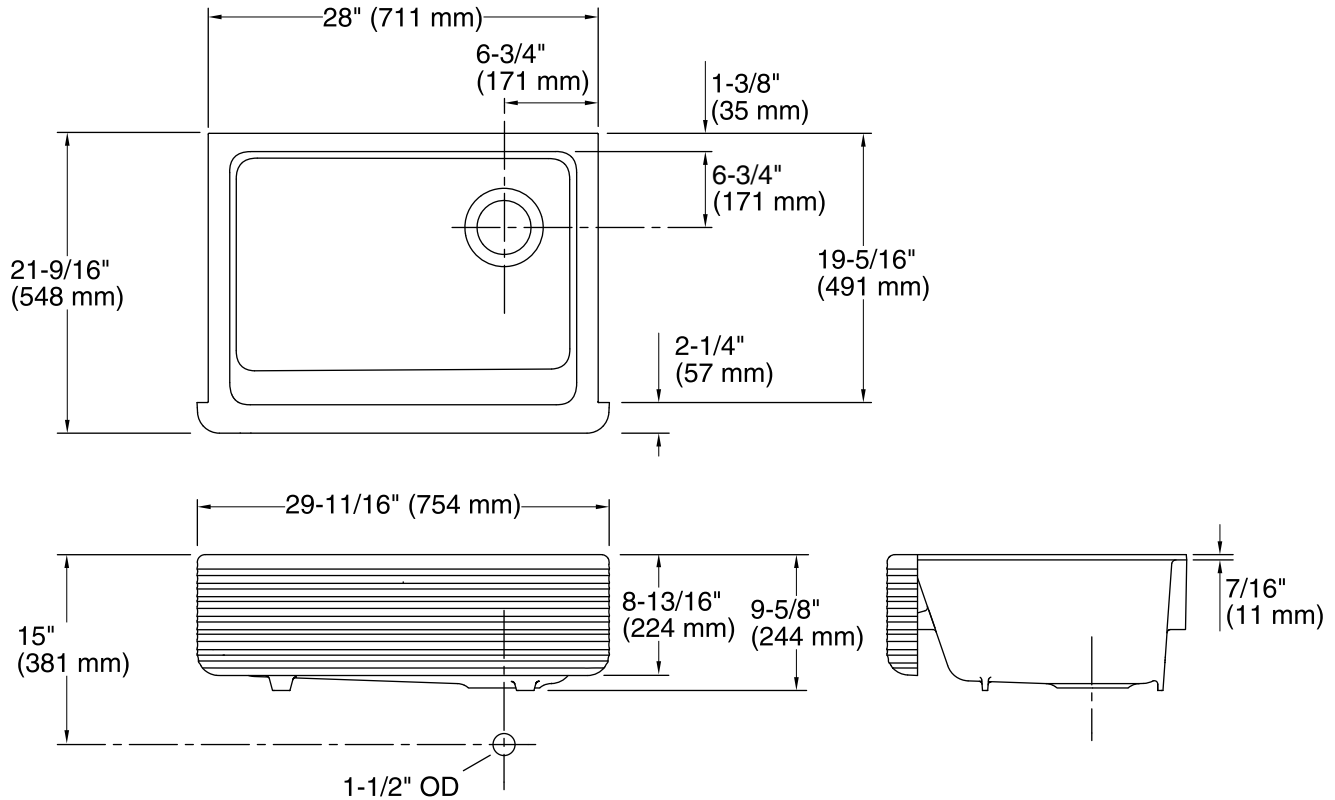
See website for detailed warranty information.

Available Color/Finishes

Color tiles intended for reference only.

Color	Code	Description
-------	------	-------------

	0	White
--	---	-------



Technical Information

All product dimensions are nominal.

Bowl configuration:	Single
Installation:	Under-mount
Min. base cabinet width:	30" (762 mm)
Bowl area (Only)	Length: 24-3/4" (629 mm) Width: 18-1/16" (459 mm) Bowl depth: 9" (229 mm)
Drain hole:	3-5/8" (92 mm)
Template:	1156909-7, required, included 1157000, required, included

Notes

Install this product according to the installation instructions.

IMPORTANT! The distance from the top edge of the cabinet to the top of the cabinet door must be at least 9" (229 mm) to install this sink.

NOTICE: Countertop manufacturer or cutter must use the cut-out template provided with the product, or a current one provided by Kohler Co. (call 1-800-4-KOHLER). Kohler Co. is not responsible for cutout errors when the incorrect cut-out template is used.