



14" Rough-in Full Skirt Trap and Attachment System K-5381

Features

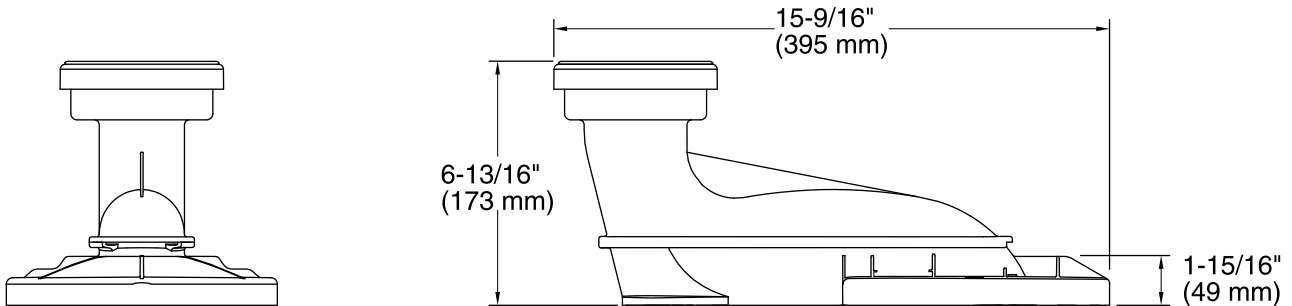
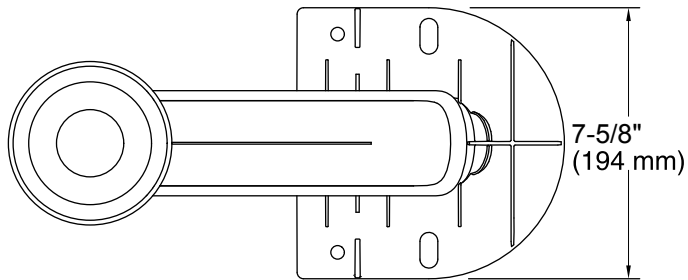
- 14" (356 mm) rough-in
- Converts standard 12" (305 mm) rough-in products to 14" (356 mm) configuration
- Plastic trapway



Codes/Standards

ASME A112.19.2/CSA B45.1

See website for detailed warranty information.



Technical Information

All product dimensions are nominal.

Rough-in: 14" (356 mm)

Notes

Install this product according to the installation instructions.