

## Features

- With overflow.
- Includes overflow cover.

## Material

- Vitreous china bathroom sink.

## Installation

- Above-counter installation.



ADA

## Codes/Standards

ASME A112.19.2/CSA B45.1  
ADA  
ICC/ANSI A117.1


## KOHLER® One-Year Limited Warranty

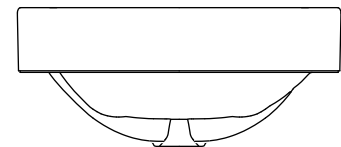
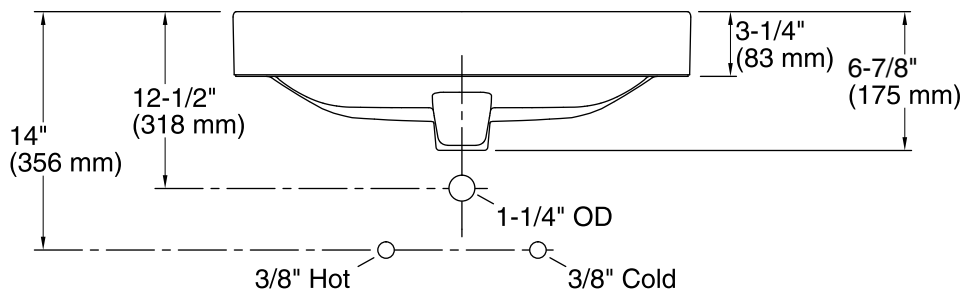
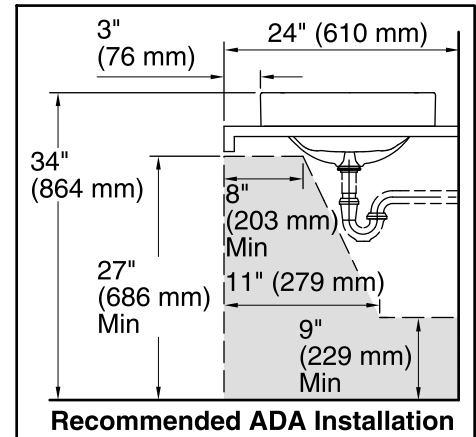
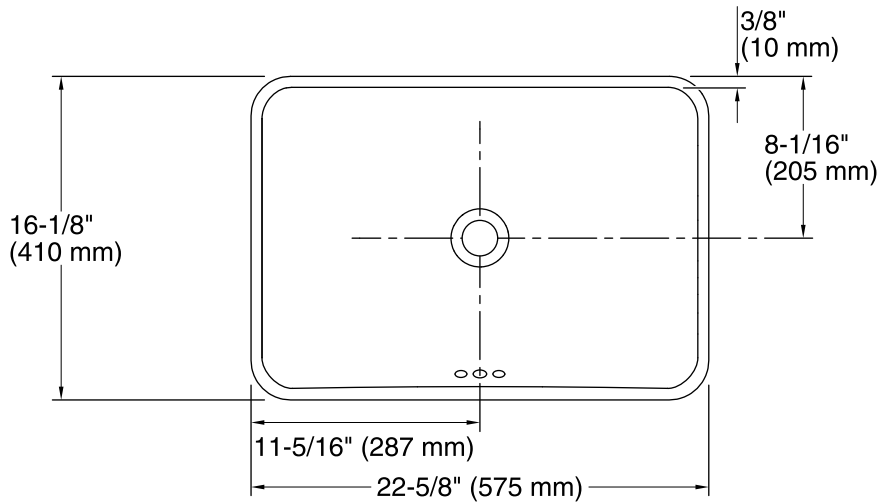
See website for detailed warranty information.

## Available Color/Finishes

*Color tiles intended for reference only.*

Color	Code	Description
-------	------	-------------

	0	White
--	---	-------



### Technical Information

All product dimensions are nominal.

Bowl configuration: Single

Installation: Above-counter

Bowl area (Only) Length: 21-7/8" (556 mm)

Width: 15-3/8" (391 mm)

Bowl depth: 5" (127 mm)

Water depth: 3-1/4" (83 mm)

Template: Above-counter, 1245920-7, required, included

### Notes

Install this product according to the installation guide.

**NOTICE:** Countertop manufacturer or cutter must use the cut-out template provided with the product, or a current one provided by Kohler Co. (call 1-800-4-KOHLER). Kohler Co. is not responsible for cutout errors when the incorrect cut-out template is used.

ADA compliant when installed to the specific requirements of these regulations.