

Features

- Katalyst® air-induction technology maximizes the air/water mix for a powerful, even flow.
- Optimized sprayface with 48 nozzles delivers a more focused coverage of large water droplets.
- MasterClean™ sprayface prohibits mineral build-up for easy cleaning.
- 1/2" NPT connection.
- 1.75 gal/min (6.6 l/min) maximum flow rate.
- Coordinates with Pinstripe faucets and accessories.
- Showerarm and flange not included.

Installation

- Wall-mount

Water Conservation & Rebates

- WaterSense-labeled 1.75-gpm showerheads use up to 30 percent less water than standard 2.5-gpm showerheads while still meeting strict performance guidelines.
- This product can help a building earn Water Efficiency points in the LEED Green Building Rating System™.



Codes/Standards

ASME A112.18.1/CSA B125.1
DOE - Energy Policy Act 1992
EPA WaterSense®
California Energy Commission (CEC)



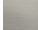
KOHLER® Faucet Lifetime Limited Warranty

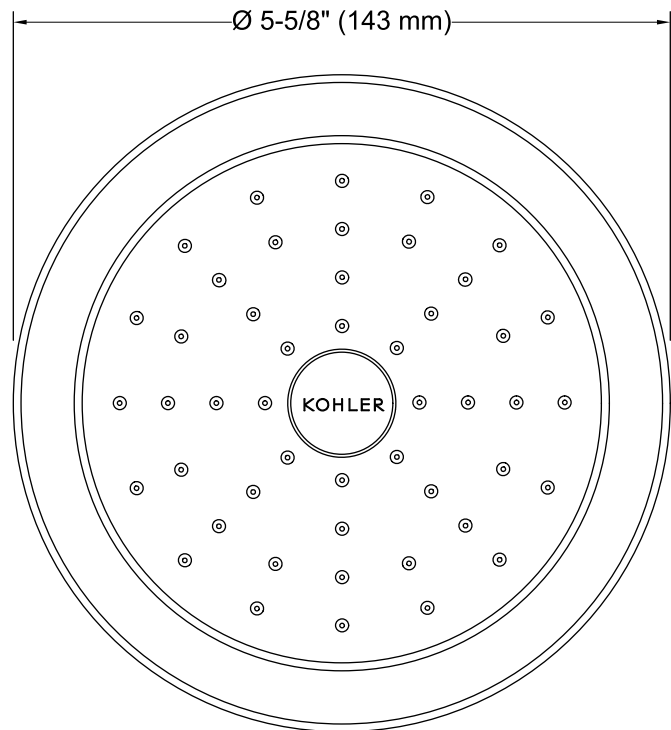
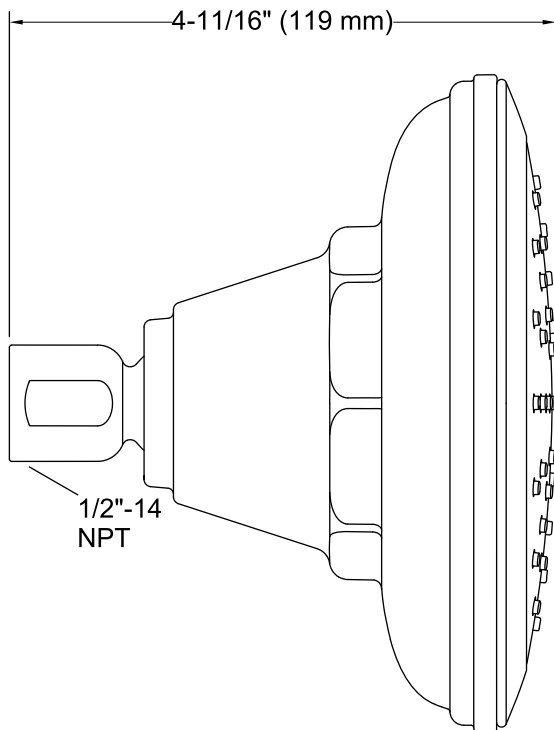
See website for detailed warranty information.

Available Color/Finishes

Color tiles intended for reference only.

Color Code Description

| | | |
|--|----|--------------------------|
|  | CP | Polished Chrome |
|  | SN | Vibrant® Polished Nickel |
|  | BN | Vibrant® Brushed Nickel |



Technical Information

All product dimensions are nominal.

Showerhead/Body Spray:

Rated maximum flow: 1.75 gal/min (6.6 l/min)

Pressure: 80 psi (5.5 bar)

Notes

For use with automatic compensating valves rated at 1.4 gal/min (5.3 l/min) or less.

Install this product according to the installation instructions.