

### Features

- Column lets you customize your shower with a rainhead and handshower.
- For use in bath and shower installations with beam showerarm for reduced ceiling height.
- Patent-pending technology allows for an easy bath/shower installation.
- Slidebar bracket allows you to adjust height and angle of handshower.
- Diverter at the base of the column makes for easy toggling between handshower and rainhead.
- Includes column, bracket, hose, slidebar, and diverter.
- Rainhead and handshower sold separately to allow for customized decor.
- Developed and optimized for use with KOHLER handshowers and KOHLER Katalyst™ rainheads K-13688, K-13689, K-13692, and K-13695 (sold separately).

### Material

- Premium metal construction.
- KOHLER finishes resist corrosion and tarnishing.

### Installation

- Wall-mount
- Installs in less than 60 minutes without changes to in-wall plumbing (subject to condition of existing installation).

### Optional Accessories

- K-13688 Contemporary Round Rain Showerhead
- K-13689 Rain Showerhead
- K-13692 Traditional Round Rain Showerhead
- K-13695 Contemporary Square Rain Showerhead
- K-8593 72" Shower Hose
- K-9514 60" Shower Hose
- K-45981 Shower Hose
- K-45982 Shower Hose
- 1194630 1/2" NPT Deep Rough-in Kit
- 1187917 1/2" NPT Shallow Rough-in Kit
- 1194302 Large Escutcheon/Mounting Collar Kit



ADA CSA B651

### Codes/Standards

ASME A112.18.1/CSA B125.1  
ADA  
ICC/ANSI A117.1  
CSA B651

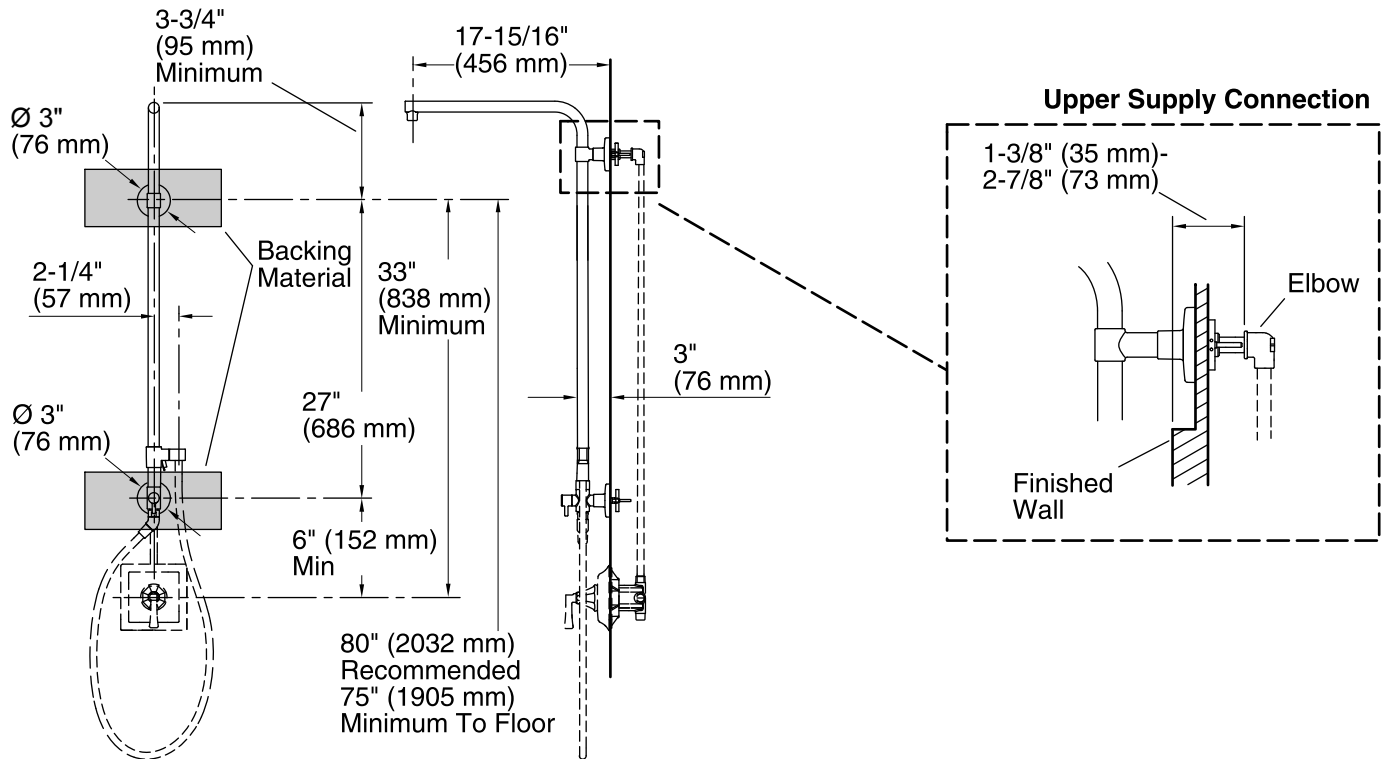
### Kohler Faucet Lifetime Limited Warranty

See website for detailed warranty information.

### Available Color/Finishes

*Color tiles intended for reference only.*

Color	Code	Description
	CP	
	BN	
	BV	
	2BZ	
	TT	



**NOTE:** Valve trim and hose illustrated for dimensioning only, not included in the product.

### Technical Information

All product dimensions are nominal.

### Notes

Install this product according to the installation guide.

Order deep roughing-in kit 1194630 if the distance from the elbow to the finished wall surface is between  $2\text{-}7/8\text{''}$  (73 mm) to  $4\text{''}$  (102 mm).

Order shallow roughing-in kit 1187917 if the distance from the elbow to the finished wall surface is less than  $1\text{-}3/8\text{''}$  (35 mm).

A  $3\text{''}$  (76 mm) escutcheon/mounting collar is supplied to fit a  $1\text{''}$  (25 mm) to  $1\text{-}1/4\text{''}$  (32 mm) supply connection hole diameter. Order 1194302 large escutcheon/mounting collar kit if the supply connection hole diameter is between  $1\text{-}1/4\text{''}$  (32 mm) to  $2\text{-}1/4\text{''}$  (57 mm).

ADA, CSA B651 compliant when installed to the specific requirements of these regulations.