

Features

- 21-inch minimum base cabinet width.
- Single bowl.
- 9-inch depth.
- No faucet holes.
- SilentShield® sound-absorption technology offers quieter performance.
- Includes installation hardware, bottom sink rack, and bamboo cutting board.

Material

- Handcrafted from 16-gauge stainless steel.
- Premium 16-gauge stainless steel.

Installation

- Under-mount

Recommended Products/Accessories

- K-8801 Sink Strainer
- K-8799 Sink Strainer

Optional Products/Accessories

- K-11352 Disposal Flange with Stopper

Included Components

Product consists of:

- K-3142 Sink Rack
- 91915 Hardware Kit
- K-3140 Cutting Board



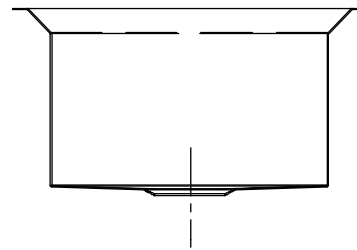
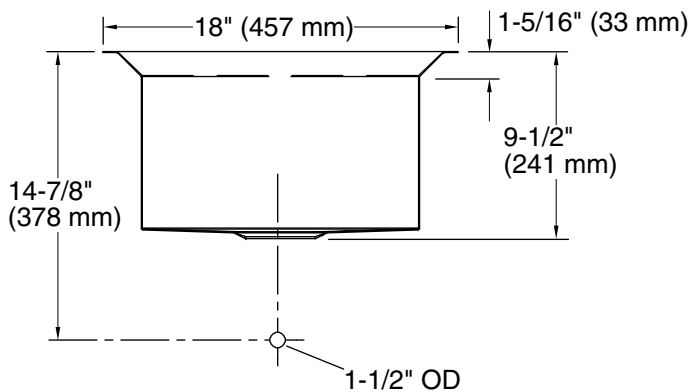
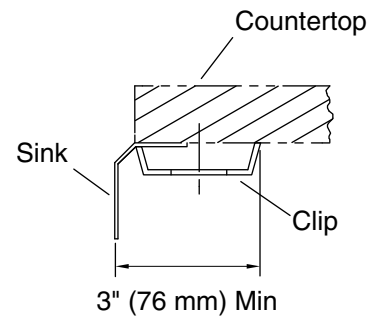
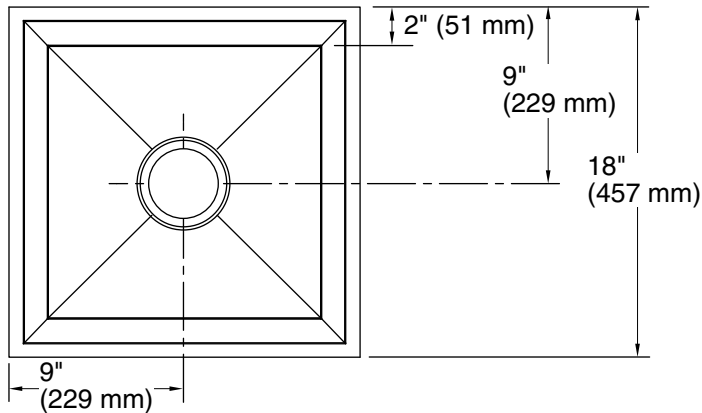
ADA

Codes/Standards

ASME A112.19.3/CSA B45.4
ADA
ICC/ANSI A117.1

Lifetime Limited Warranty for KOHLER® Stainless Steel Sinks

See website for detailed warranty information.



Technical Information

All product dimensions are nominal.

Bowl configuration:	Single
Installation:	Under-mount
Min. base cabinet width:	21" (533 mm)
Bowl area (Only):	Length: 14" (356 mm) Width: 14" (356 mm) Bowl depth: 9-3/16" (233 mm)
Drain hole:	3-5/8" (92 mm)
Template:	1022021-7, required, included

Notes

Install this product according to the installation instructions.

Allow a minimum of 3" (76 mm) clearance around the sink rim for clip attachment.

ADA compliant when installed to the specific requirements of these regulations.

ADA permits a parallel approach to wet bars.