



DemiLav® Wading Pool®

vessel bathroom sink

K-2833

Features

- Sloped rectangular basin.
- No faucet holes; requires wall- or counter-mount faucet.

Material

- KOHLER® enameled cast iron.

Installation

- Vessel

Recommended Products/Accessories

- K-7124 Pop-Up Clicker Drain
- K-7129 Drain
- K-9018 P-Trap



ADA

CSA B651

Codes/Standards

ASME A112.19.1/CSA B45.2
 ADA
 ICC/ANSI A117.1
 CSA B651

Lifetime Limited Warranty for KOHLER® Cast Iron Components

See website for detailed warranty information.

Available Colors/Finishes

Color tiles intended for reference only.

Color	Code	Description
	0	White
	FF	Sea Salt™
	96	Biscuit
	47	Almond
	FD	Cane Sugar™
	NY	Dune
	95	Ice™ Grey
	G9	Sandbar
	33	Mexican Sand™
	KF	Vapour™ Pink
	KE	Vapour™ Orange
	KC	Vapour™ Blue
	KG	Vapour™ Green
	K4	Cashmere

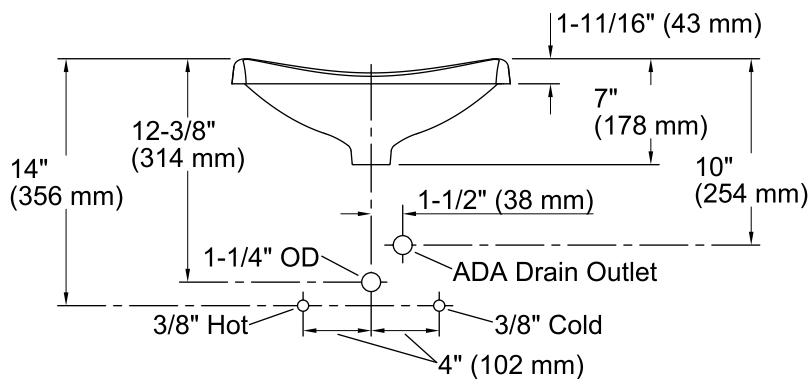
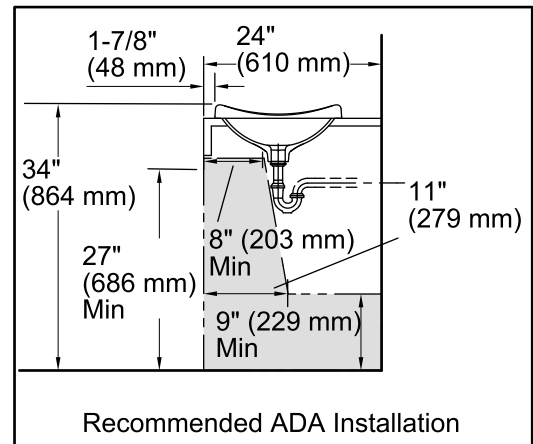
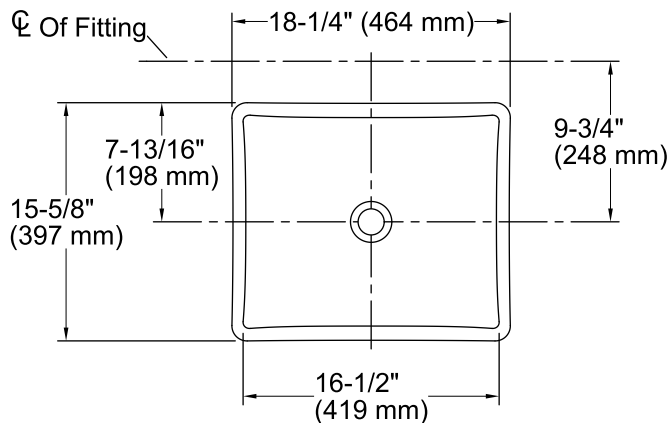
1-800-4KOHLER (1-800-456-4537)

Kohler Co. reserves the right to make revisions without notice to product specifications.

For the most current Specification Sheet, go to www.kohler.com.

7-18-2019 03:46 - US/CA/MX

THE BOLD LOOK
OF **KOHLER**®



Technical Information

All product dimensions are nominal.

- Bowl configuration: Single
- Installation: Vessel
- Bowl area (Only): Length: 16-1/2" (419 mm)
Width: 13-3/4" (349 mm)
Water depth: 5" (127 mm)
- Drain hole: 1-3/4" (44 mm)
- Template: 1046630-7, required, included

Notes

Install this product according to the installation instructions.

Product does not have overflow.

NOTICE: Countertop manufacturer or cutter must use the cut-out template provided with the product, or a current one provided by Kohler Co. (call 1-800-4KOHLER). Kohler Co. is not responsible for cutout errors when the incorrect cut-out template is used.

The spout must be a minimum of 5" (127 mm) long for adequate clearance into the bathroom sink when installed with the centerline, as shown. ADA, CSA B651 compliant when installed to the specific requirements of these regulations.