



Kingston™ Comfort Height®

Elongated toilet

K-25077-T

Features

- Ideal for commercial installations.
- Two-piece toilet.
- Elongated bowl offers added room and comfort.
- Comfort Height® feature offers chair-height ADA-compliant seating.
- 1.28 gallons per flush (gpf).
- Durable metal left-hand Polished Chrome trip lever included.
- 2-1/8" fully glazed trapway.
- Tank locks included.
- Easy-to-service silicone seal.
- Sanitary guard where the bowl and tank meet for ease of cleaning.
- Encapsulated bolts to prevent rusting and corrosion.
- Combination consists of the K-25076 bowl and K-25100-T tank.



Technology

- Single-flush gravity uses the force of gravity and a precision-engineered tank, bowl and trapway to create a strong siphon during flushing.
- Class Five® flushing technology offers virtually plug-free performance and rinsing power for a clean bowl.
- Class Five® canister allows water to flow out of the tank from all sides (360 degrees), increasing the power and effectiveness of the flush.
- Flush valve's 3:2 ratio harnesses the natural force of gravity and optimizes flush performance.
- Durable canister design has 90% less exposed seal material than a 3" flapper, for virtually leak-free performance.

Installation

- Three-bolt quick-connect installation.
- Standard 12" rough-in.
- Seat and supply line not included.

Recommended Products/Accessories

- K-7637 Angle Supply with Stop (single)
- K-20110 Brevia™ Quiet-Close™ Elongated Toilet Seat
- K-4650-A Lustra™ Elongated Toilet Seat
- K-5420 Low-Profile Bolt Caps

Included Components

Product consists of:

- K-25076 Elongated toilet bowl
- K-25100-T Toilet tank with cover locks, 1.28 gpf

Additional Components:

- Bolt cap accessory pack

ADA	CSA B651	OBC
-----	----------	-----

Codes/Standards

ASME A112.19.2/CSA B45.1
 DOE - Energy Policy Act 1992
 EPA WaterSense®
 California Energy Commission (CEC)
 ADA
 ICC/ANSI A117.1
 CSA B651
 OBC

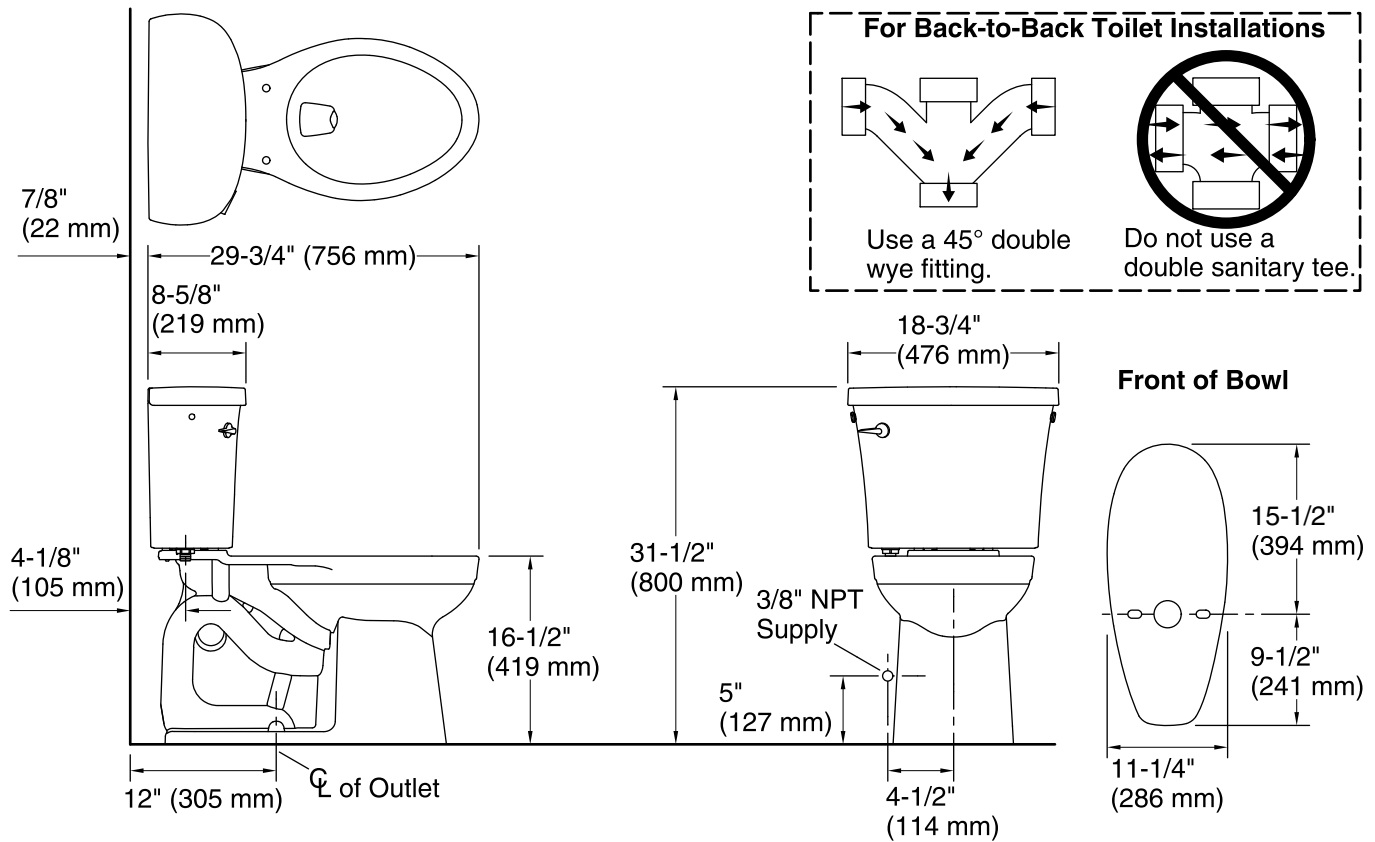
KOHLER® One-Year Limited Warranty

See website for detailed warranty information.

Available Colors/Finishes

Color tiles intended for reference only.

Color	Code	Description
	0	White



Technical Information

All product dimensions are nominal.

Toilet type:	Two-piece, Floor-mount
Waste Outlet:	Floor
Bowl shape:	Elongated
Flush type:	Gravity siphon jet
Trap passageway:	2-1/8" (54 mm)
Water Consumption	
Full:	1.28 gpf (4.8 lpf)
Water surface size:	10-5/8" x 6-15/16" (269 mm x 176 mm)
Rim to water surface:	5-5/8" (143 mm)
Rough-in:	12" (305 mm)
Seat-mounting holes:	5-1/2" (140 mm)

Notes

Install this product according to the installation instructions.

For back-to-back toilet installations: Use only a 45° double wye fitting.

ADA, OBC, CSA B651 compliant when installed to the specific requirements of these regulations.

Plumbing codes may require elongated toilets and elongated, open-front seats in public bathrooms.

Accessibility standards may require controls to be located on the open side of the toilet.