



**Stanwell™**  
Blowout Urinal  
**K-25048-ET**

**Features**

- Blowout flush action.
- 3/4" top spud.
- Uses 0.5 to 1.0 gallons per flush.

**Material**

- Vitreous china.

**Installation**

- Note: If urinal is being purchased as a retrofit for K-4972, a 3/4" valve tailpiece is also required, existing 1-1/4" valve tailpiece is not compatible.
- Replaces Stanwell™ K-4972-ET.

**Optional Products/Accessories**

1363456 Retrofit Flushometer Tailpiece, 3/4"

**Included Components**

Additional Components:

- 2" outlet spud (Qty 2)
- 3/4" inlet spud (Qty 2)
- 5/8" Drain Plug (Qty 2)
- Hanger(s) (Qty 2)



**ADA** **OBC**

**Codes/Standards**

ASME A112.19.2/CSA B45.1  
DOE - Energy Policy Act 1992  
EPA WaterSense®  
ADA  
ICC/ANSI A117.1  
OBC

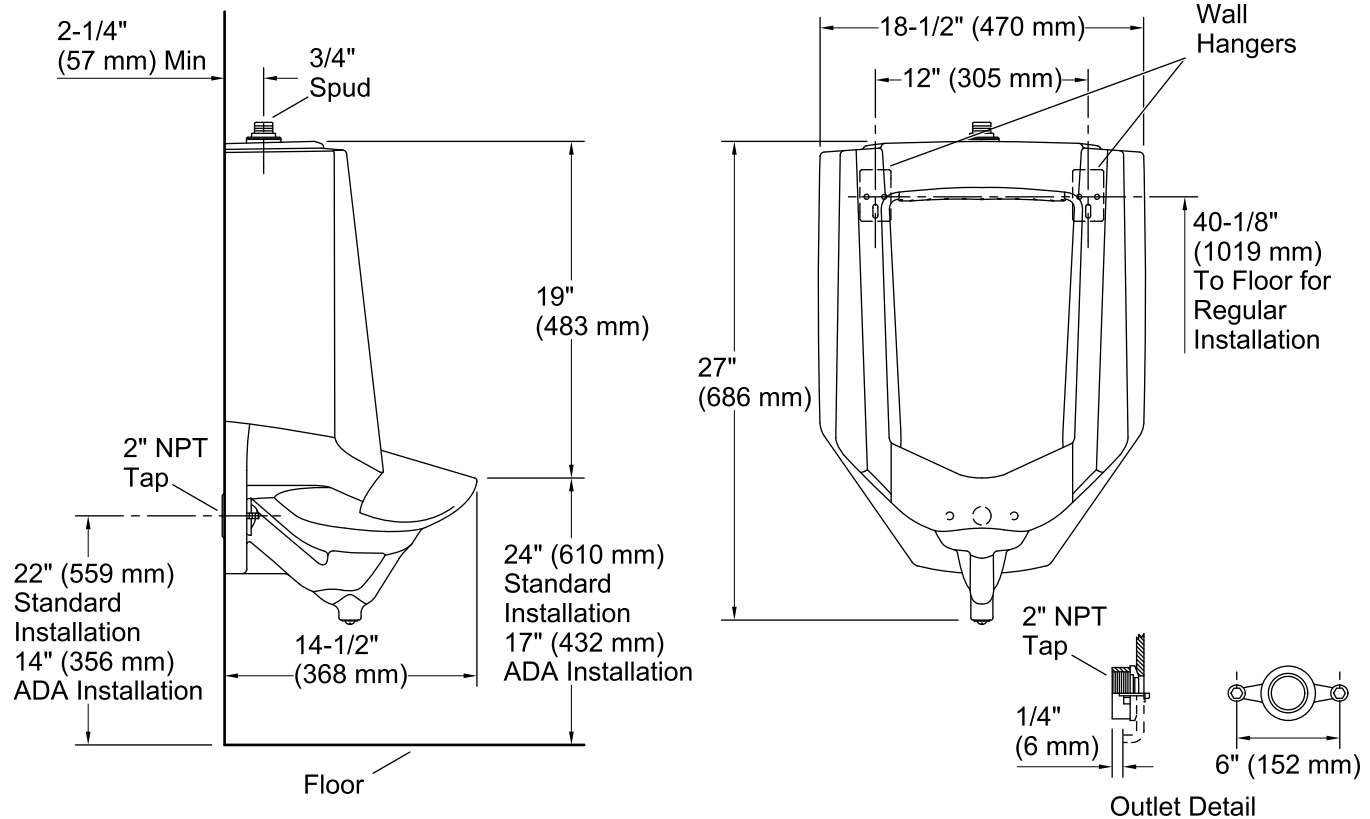
**KOHLER® One-Year Limited Warranty**

See website for detailed warranty information.

**Available Colors/Finishes**

*Color tiles intended for reference only.*

Color	Code	Description
	0	White
	96	Biscuit
	47	Almond
	7	Black Black™



### Technical Information

All product dimensions are nominal.

Flush outlet technology:

Blow-out

Spud size: 3/4", Inlet, Top

Min. Water per Flush: 0.5 gal (1.9 L)

Max. Water per Flush: 1 gal (3.8 L)

Designed for the above water use when installed with a water-saving flushometer.

### Pressure and Supply Requirements

Fixture pressure min 25 psi (172.4 kPa)  
(static):

Fixture pressure max 80 psi (551.6 kPa)  
(static):

### Notes

Install this product according to the installation instructions.

Refer to manufacturer's instructions and local codes for flushometer requirements.

ADA, OBC compliant when installed to the specific requirements of these regulations.