



Branham™

Full stall washdown urinal with top spud
K-25039-T

Features

- Full stall washdown urinal.
- 0.5 or 1.0 gpf (1.9 or 3.8 lpf).
- Lip of urinal installs below floor level for easier cleaning around fixture.
- Full length sidewalls provide added privacy.
- External trapway.

Material

- Vitreous china.

Installation

- 3/4" (190 mm) top spud.
- Replaces K-4920-T.

Recommended Products/Accessories

- K-10675 WAVE DC 0.5 GPF Urinal Flushometer
- K-10958 Tripoint™ DC 0.5 GPF Urinal Flushometer
- K-10960 Tripoint™ DC 1.0 GPF Wshdwn Flushometer
- K-13518 Manual 1.0 GPF Wshdwn Flushometer
- K-13519 Manual 0.5 GPF Urinal Flushometer
- K-4931 Urinal Seam Cover
- K-4932 Urinal Seam Cover
- K-9172 Urinal Strainer
- K-9183 Urinal Strainer
- K-23726 Drain treatment
- K-23725 Cast iron cleaner

Included Components

- Additional Components:
18376 Urinal Spud Accessory 3/4"



ADA **CSA B651** **OBC**

Codes/Standards





- ASME A112.19.2/CSA B45.1
- DOE - Energy Policy Act 1992
- EPA WaterSense®
- California Energy Commission (CEC)
- ADA
- ICC/ANSI A117.1
- CSA B651
- OBC

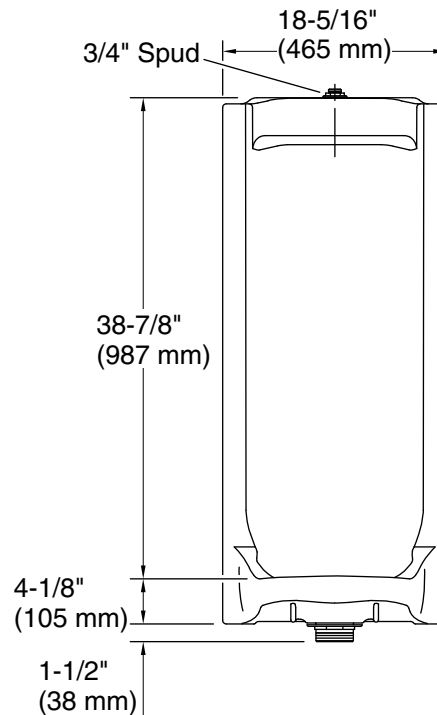
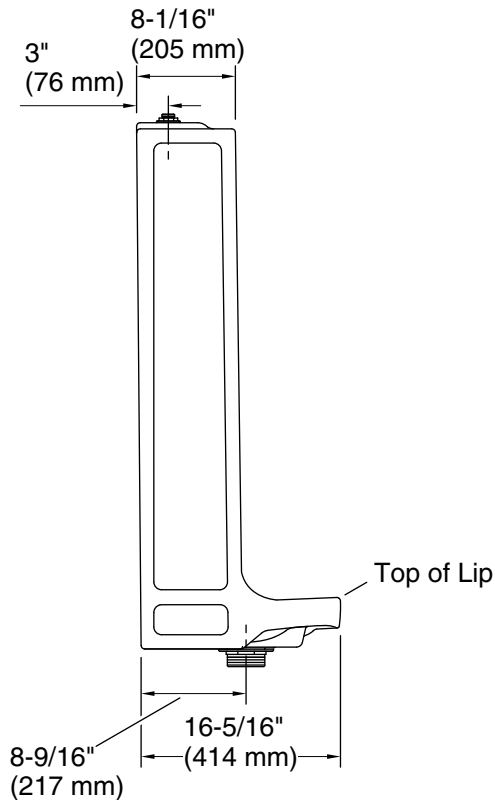
KOHLER® One-Year Limited Warranty

See website for detailed warranty information.

Available Colors/Finishes

Color tiles intended for reference only.

Color	Code	Description
	0	White
	96	Biscuit
	47	Almond
	7	Black Black™



Technical Information

All product dimensions are nominal.

Flush outlet technology: Washout

Spud size: 3/4, Inlet, Top

Min. Water per Flush: 0.5 gal (1.9 L)

Max. Water per Flush: 1 gal (3.8 L)

Designed for the above water use when installed with a water-saving flushometer.

Pressure and Supply Requirements

Fixture pressure min 20 psi (137.9 kPa)
(static):

Fixture pressure max 80 psi (551.6 kPa)
(static):

Notes

Install this product according to the installation instructions.

Refer to manufacturer's instructions and local codes for flushometer requirements.

ADA, OBC, CSA B651 compliant when installed to the specific requirements of these regulations.