



Devonshire®

Under-mount Bathroom Sink

K-2350

Features

- Oval basin.
- No faucet holes; requires wall- or counter-mount faucet.
- Coordinates with other products in the Devonshire collection.

Material

- Vitreous china.

Installation

- Under-mount

Recommended Accessories

K-9018 P-Trap

Components

Additional included component/s: 1193643 Basin Clamps.



ADA

Codes/Standards











ASME A112.19.2/CSA B45.1
ADA
ICC/ANSI A117.1

KOHLER® One-Year Limited Warranty

See website for detailed warranty information.

Available Color/Finishes

Color tiles intended for reference only.

Color	Code	Description
	0	White
	96	Biscuit
	47	Almond
	NY	Dune
	95	Ice™ Grey
	G9	Sandbar
	33	Mexican Sand™
	K4	Cashmere
	58	Thunder™ Grey
	7	Black Black™

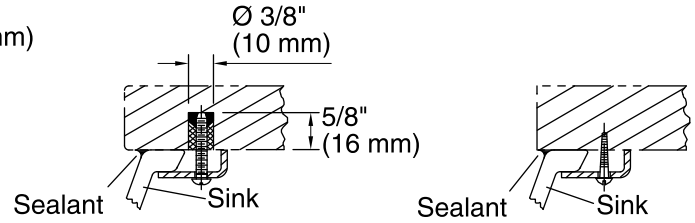
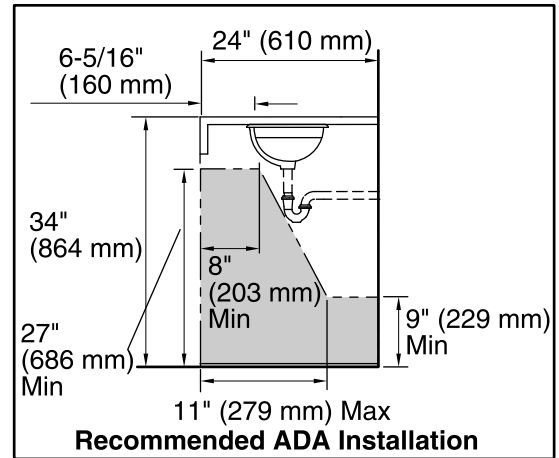
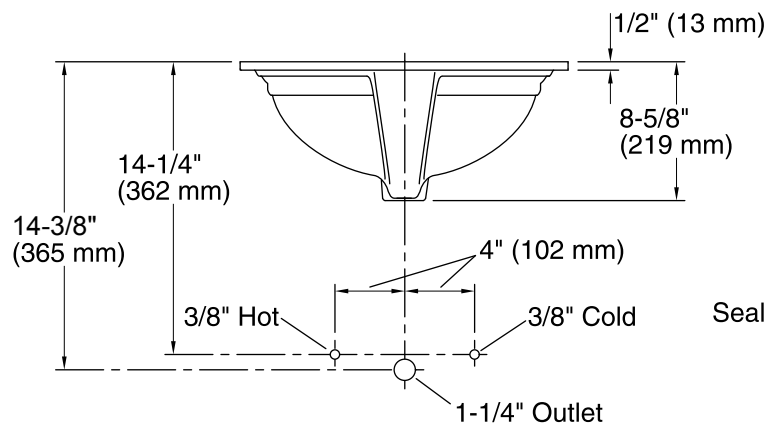
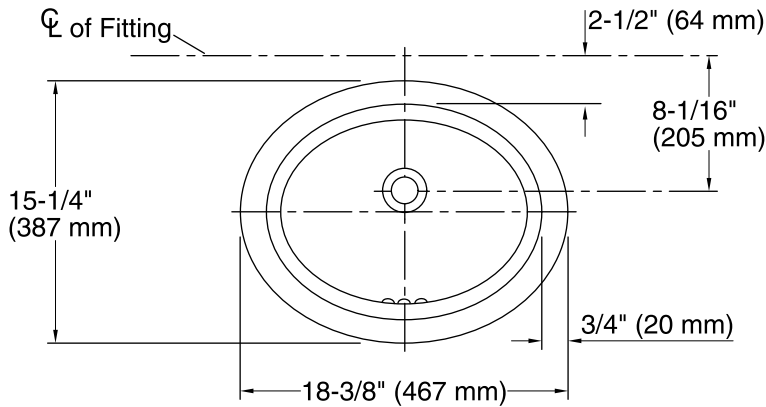
1-800-4KOHLER (1-800-456-4537)

Kohler Co. reserves the right to make revisions without notice to product specifications.

For the most current Specification Sheet, go to www.kohler.com.

12-4-2018 12:06 - US/CA

THE BOLD LOOK
OF **KOHLER**®



Marble Installation

Wood Counter Installation

Technical Information

All product dimensions are nominal.

- Bowl configuration: Single
- Installation: Under-mount
- Bowl area (Only): Length: 16-7/8" (429 mm)
Width: 13-11/16" (348 mm)
Water depth: 4-3/16" (106 mm)
- Drain hole: 1-3/4" (44 mm)
- Template: 1289470-7, required, not included

Notes

Install this product according to the installation instructions.

NOTICE: Countertop manufacturer or cutter must use the current product template available at www.kohler.com, or by calling 1-800-4KOHLER. Kohler Co. is not responsible for cutout errors when the incorrect cutout template is used.

ADA compliant when installed to the specific requirements of these regulations.