

Material

- Premium metal construction.
- For 4" (102 mm) centers.
- KOHLER finishes resist corrosion and tarnishing.
- 5" (126 mm) spout reach.
- 1.2 gal/min (4.5 l/min) maximum flow rate [max at 60 psi (4.14 bar)].
- KOHLER ceramic disc valves exceed industry longevity standards for a lifetime of durable performance.
- Two-handle centerset bathroom sink faucet for 4" centers.
- Includes metal touch-activated drain with 1-1/4" tailpiece.
- Coordinates with Tempered™ faucets, accessories, and showering components to complete your bathroom.
- Two-handle centerset faucet for 4" centers.
- Two lever handles offer separate control of hot and cold water.
- KOHLER® ceramic disc valves exceed industry longevity standards, ensuring durable performance for life.
- Includes metal pop-up drain with 1-1/4" tailpiece.
- 1.2 gpm (gallons per minute) flow rate.
- Coordinates with other products in the Tempered collection.
- Premium material construction.
- KOHLER finishes resist corrosion and tarnishing.
- Centerset
- Handles pre-assembled on valves and quick-connect fittings simplify installation.



ADA **CSA B651** **OBC**

Codes/Standards

ASME A112.18.1/CSA B125.1
 NSF/ANSI 61
 NSF/ANSI 372
 All applicable US Federal and State material regulations
 DOE - Energy Policy Act 1992
 EPA WaterSense®
 California Energy Commission (CEC)
 ADA
 ICC/ANSI A117.1
 CSA B651
 OBC

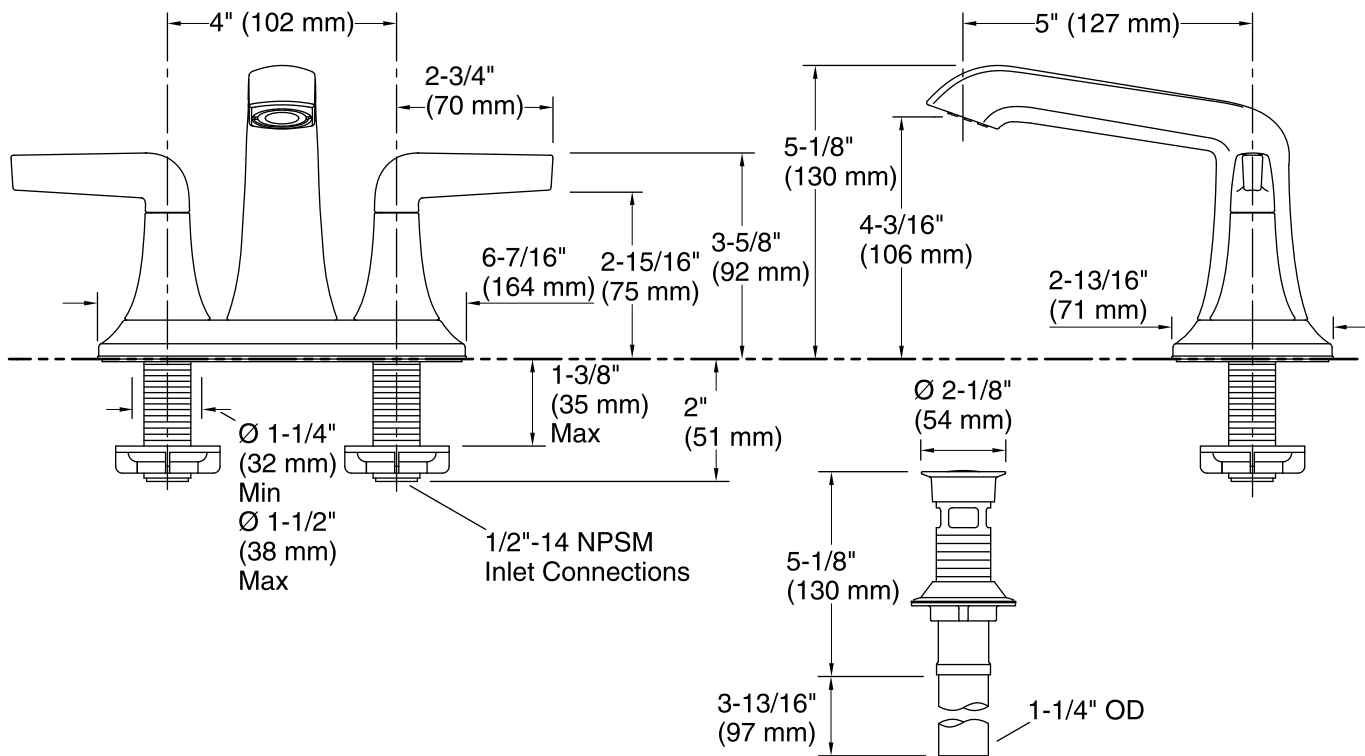
KOHLER® Faucet Lifetime Limited Warranty

See website for detailed warranty information.

Available Colors/Finishes

Color tiles intended for reference only.

Color	Code	Description
	CP	Polished Chrome
	SN	Vibrant® Polished Nickel
	BN	Vibrant® Brushed Nickel
	BL	Matte Black



Technical Information

All product dimensions are nominal.

Faucet:

Flow rate: 1.2 gal/min (4.5 l/min)

Pressure: 60 psi (4.1 bar)

Valve body: Plastic

Drain included: Yes

Drain with overflow: Yes

Drain tailpiece included: Yes

Spout:

Spout reach: 5" (126 mm)

Handle clearance: 2-3/4" (70 mm)

Notes

Install this product according to the installation instructions.

ADA, OBC, CSA B651 compliant when installed to the specific requirements of these regulations.