



# Tempered™

## Toilet Tissue Holder

### K-21954

#### Features

- Pivoting holder makes changing toilet tissue quick and simple.
- Premium metal construction for durability.
- Coordinates with other products in the Tempered collection.

#### Material

- KOHLER finishes resist corrosion and tarnishing.

#### Installation

- Tools and installation template included.



#### Codes/Standards

None Applicable

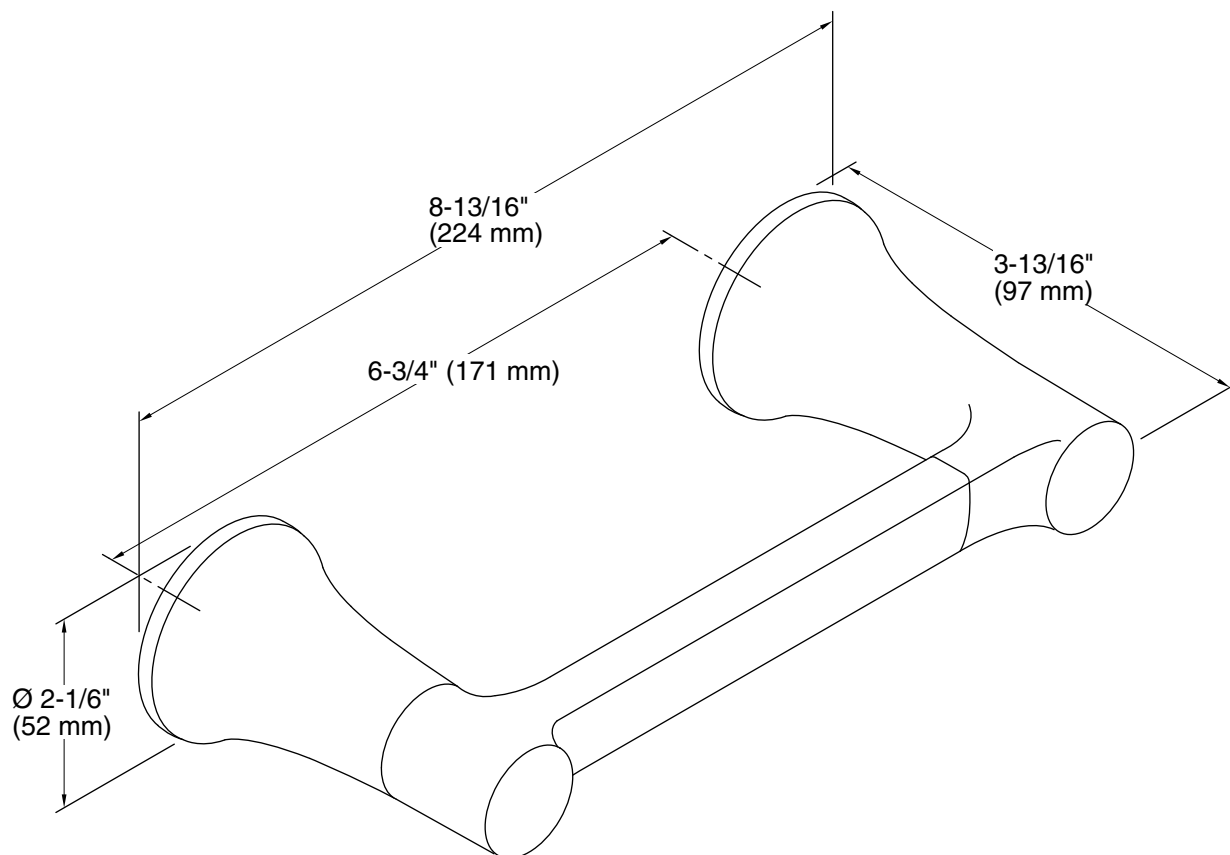
#### KOHLER® Faucet Lifetime Limited Warranty

See website for detailed warranty information.

#### Available Colors/Finishes

*Color tiles intended for reference only.*

Color	Code	Description
	CP	Polished Chrome
	SN	Vibrant® Polished Nickel
	BN	Vibrant® Brushed Nickel
	BL	Matte Black



## Technical Information

All product dimensions are nominal.

Material: Zinc

## Notes

Install this product according to the installation instructions.

**CAUTION:** Risk of personal injury. Do not install these products in any area where they are likely to be used inadvertently as a grab bar or support bar. These products are not designed or intended for use as a grab bar or support bar.