



Irvine™
left-hand trip lever
K-21265-L

Features

- Left-hand trip lever.
- Premium metal construction for durability.
- For use with the K-20450 and K-90098 Irvine™ toilets.

Material

- KOHLER finishes resist corrosion and tarnishing.



ADA CSA B651 OBC



Codes/Standards

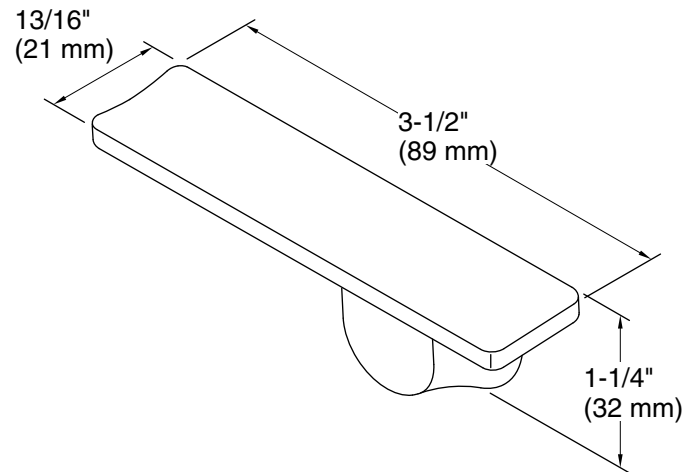
ADA
ICC/ANSI A117.1
CSA B651
OBC

KOHLER® One-Year Limited Warranty
See website for detailed warranty information.

Available Colors/Finishes

Color tiles intended for reference only.

Color	Code	Description
	CP	Polished Chrome
	BN	Vibrant® Brushed Nickel



Technical Information

All product dimensions are nominal.

Installation Type: Fixture-mount

Material: Metal

Notes

ADA, OBC, CSA B651 compliant when installed to the specific requirements of these regulations.