

## Features

- Asymmetrical large oval basin
- Available with or without (-N) overflow.
- No faucet holes; requires wall- or counter-mount faucet.
- 38-1/8" (969 mm) x 15-11/16" (399 mm) x 8-15/16" (226 mm)

## Material

- Fireclay with Supramic Technology

## Installation

- Vessel Bathroom Sink



ADA CSA B651 OBC

## Codes/Standards





ADA  
ICC/ANSI A117.1  
CSA B651  
OBC

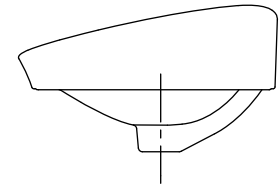
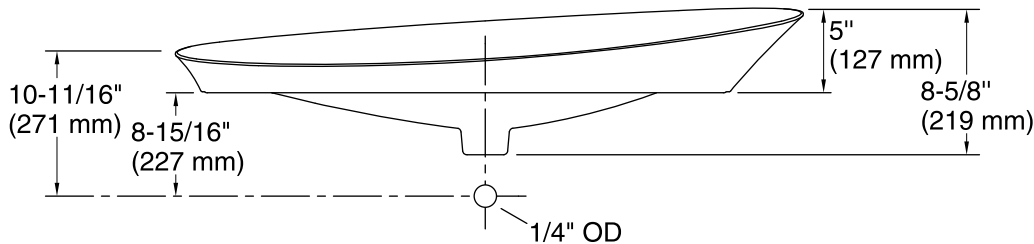
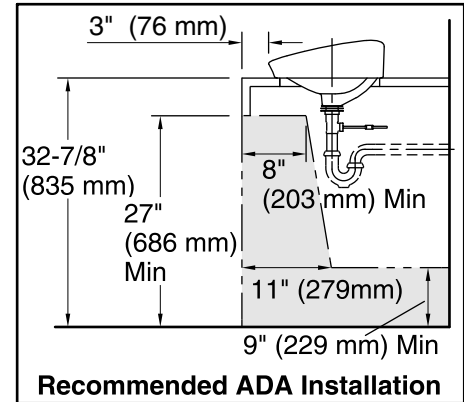
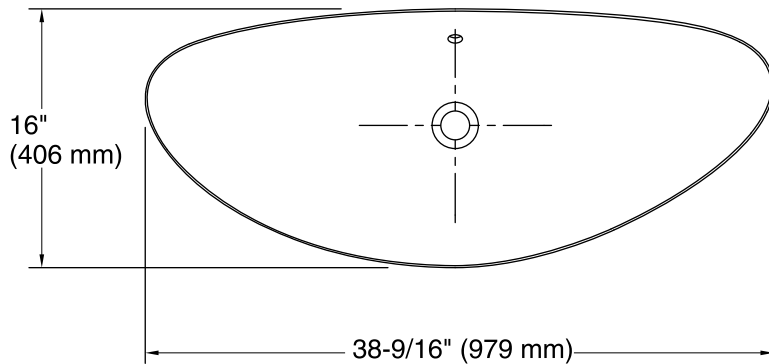
## KOHLER® One-Year Limited Warranty

See website for detailed warranty information.

## Available Color/Finishes

*Color tiles intended for reference only.*

Color	Code	Description
	0	White
	96	Biscuit
	NY	Dune
	7	Black Black™



## Technical Information

All product dimensions are nominal.

Installation:	Vessel
Bowl area:	Bowl depth: 3-1/2" (89 mm) Water depth: 2-13/16" (71 mm)
Drain hole:	1-3/4" (44 mm)
Template:	1317552-7, not required, included

## Notes

Install this product according to the installation instructions.

**NOTICE:** Countertop manufacturer or cutter must use the cut-out template provided with the product, or a current one provided by Kohler Co. (call 1-800-4-KOHLER). Kohler Co. is not responsible for cutout errors when the incorrect cut-out template is used.

ADA, OBC, CSA B651 compliant when installed to the specific requirements of these regulations.