



Iron Plains® Trough Rectangle

Bathroom Sink

K-20212-W

Features

- Large rectangular basin.
- No faucet holes; requires wall- or counter-mount faucet.
- Overflow drain.

Material

- KOHLER® enameled cast iron.
- Painted underside in White.

Installation

- Vessel, drop-in, or under-mount.



ADA CSA B651

Codes/Standards

ASME A112.19.1/CSA B45.2
ADA
ICC/ANSI A117.1
CSA B651



Lifetime Limited Warranty for KOHLER® Cast Iron Components

See website for detailed warranty information.

Available Colors/Finishes

Color tiles intended for reference only.

Color Code Description

	0	White
	FF	Sea Salt™

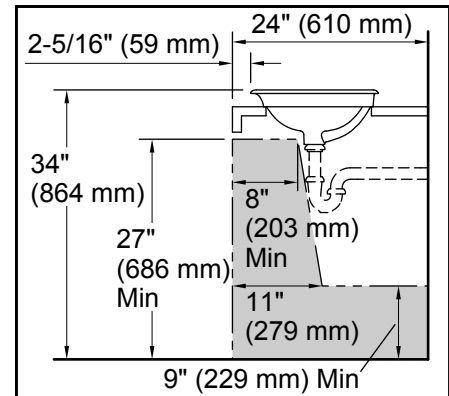
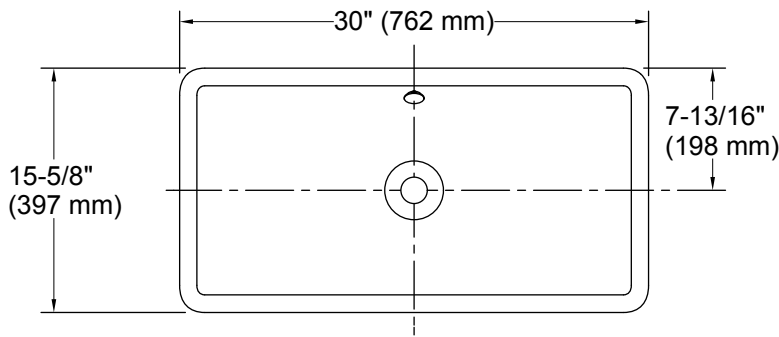
1-800-4KOHLER (1-800-456-4537)

Kohler Co. reserves the right to make revisions without notice to product specifications.

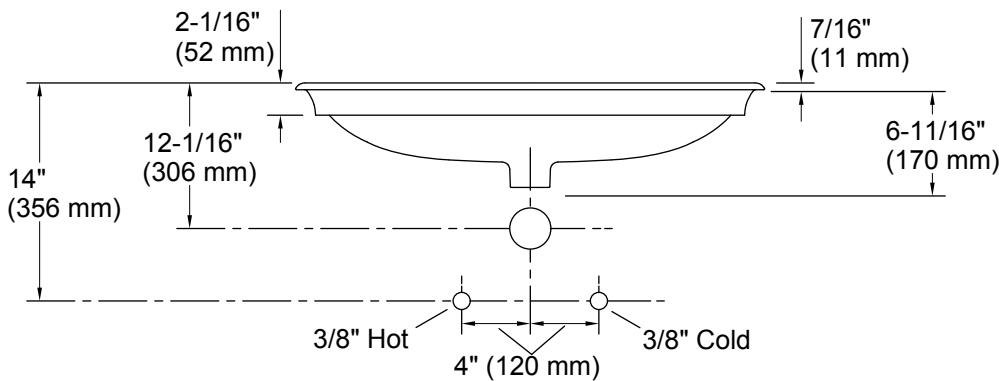
For the most current Specification Sheet, go to www.kohler.com.

3-18-2019 06:09 - US/CA

THE BOLD LOOK
OF **KOHLER**®



Recommended ADA Installation



Technical Information

All product dimensions are nominal.

Installation: Drop-in, Under-mount, Vessel

Drain hole: 1-3/4" (44 mm)

Template: 1319048-7, required, included

Notes

Install this product according to the installation instructions.

NOTICE: Countertop manufacturer or cutter must use the cut-out template provided with the product, or a current one provided by Kohler Co. (call 1-800-4-KOHLER). Kohler Co. is not responsible for cutout errors when the incorrect cut-out template is used.

ADA, CSA B651 compliant when installed to the specific requirements of these regulations.