

Features

- Bask® heated surface with three temperature settings creates spa-like relaxation with soothing warmth on your back, shoulders, and neck.
- Clearflo slotted overflow for deep soaking.
- Integral lumbar support.
- Integral flange.
- Left drain.
- 60" (1524 mm) x 30" (762 mm) x 19" (483 mm)

Material

- Acrylic

Installation

- Alcove

Required Accessories

K-7271 Slotted Overflow Bath Drain

or

K-7272 Slotted Overflow Bath Drain



ADA

Codes/Standards

CSA B45.5/IAPMO Z124

UL 1795

ADA

ICC/ANSI A117.1

KOHLER® One-Year Limited Warranty

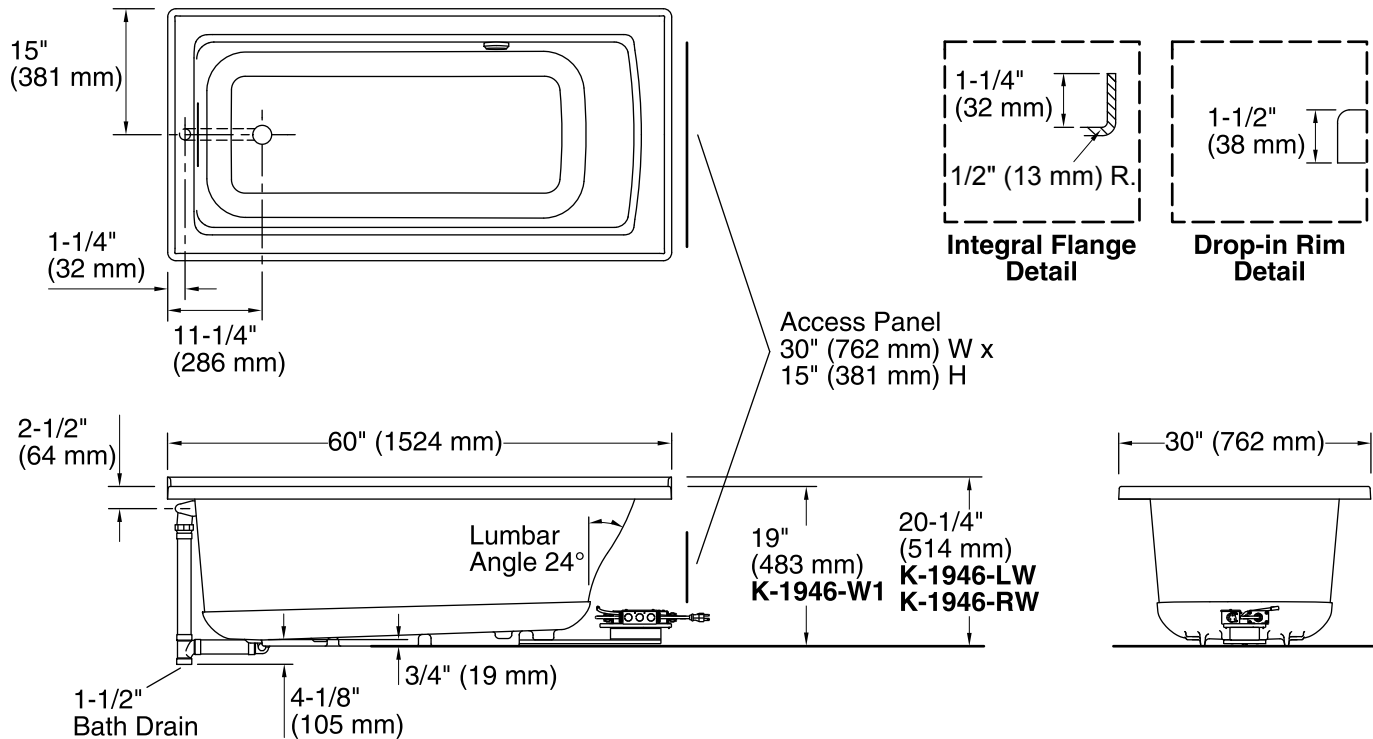
See website for detailed warranty information.

Available Color/Finishes

Color tiles intended for reference only.

Color	Code	Description
	0	White
	33	Mexican Sand™
	47	Almond
	55	Innocent Blush™
	58	Thunder™ Grey
	7	Black Black™
	95	Ice™ Grey
	96	Biscuit
	G9	Sandbar
	K4	Cashmere
	NY	Dune

No change in measurements if connected with drain illustrated. (K-7272)



Required Electrical Service

One dedicated circuit required, protected with Class A Ground-Fault Circuit-Interrupter (GFCI) or Residual Current Device (RCD).

Heated Surface: 120 V, 15 A, 60 Hz

Max Length to Outlet: 24" (610 mm)

Locate the outlet behind the bathing unit and within the maximum distance specified above.

Technical Information

All product dimensions are nominal.

Installation: 3-Wall Alcove

Drain location: Left

Basin area, bottom: 45-1/8" x 19-11/16" (1146 mm x 500 mm)

Basin area, top: 52-1/8" x 22-1/16" (1324 mm x 560 mm)

Weight: 68 lbs (30.8 kg)

Minimum floor load: 45.5 lbs/ft² (222.2 kg/m²)

Water depth: 15-1/8" (384 mm)

Water capacity: 57 gal (215.8 L)

Cutout: Drop-in, 58-1/2" x 28-1/2" (1486 mm x 724 mm)

Notes

Measure your actual product for roughing-in details.

Install this product according to the installation guide.

Locate a GFCI-protected 120 V, 15 A, grounded duplex electrical outlet within 24" (610 mm) of the bath junction box. A 40" (1016 mm) cable is included.

The hot water supply should be 70% of the capacity of the bath or greater. Installations will vary.

ADA compliant when installed to the specific requirements of these regulations.