



Fairfax®
Toilet Tissue Holder
K-12157

Features

- KOHLER finishes resist corrosion and tarnish.
- Coordinates with other products in the Fairfax collection.
- 6-1/2" (165 mm) x 3-3/8" (86 mm) x 4-3/4" (121 mm)

Material

- Solid brass construction.

Components

Additional included component/s: Installation hardware.



Codes/Standards




None Applicable

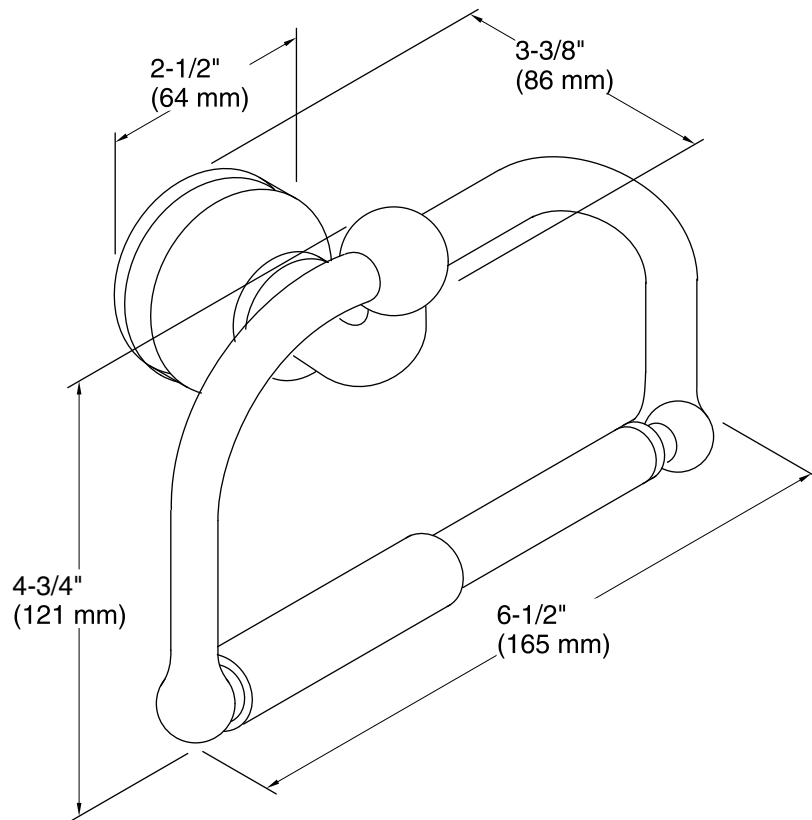
**KOHLER® Faucet Lifetime Limited
Warranty**

See website for detailed warranty information.

Available Color/Finishes

Color tiles intended for reference only.

Color	Code	Description
	CP	Polished Chrome
	BN	Vibrant® Brushed Nickel
	2BZ	Oil-Rubbed Bronze



Technical Information

All product dimensions are nominal.

Notes

Install this product according to the installation guide.