

# KOHLER®

## Windward®

6' Bath

K-1115-RA



### Features

- Integral flange.
- Right drain.
- Integral lumbar support and armrests for comfort.
- Integral apron.
- 72" (1829 mm) x 42" (1067 mm) x 21" (533 mm)

### Material

- Acrylic

### Installation

- Alcove

### Recommended Accessories

K-7166-AF Bath Drain

K-11677 Bath Drain



### Codes/Standards

CSA B45.5/IAPMO Z124

ASTM E162

ASTM E662

Greenguard UL 2818 - Gold



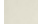
### KOHLER® One-Year Limited Warranty

See website for detailed warranty information.

### Available Color/Finishes

*Color tiles intended for reference only.*

Color	Code	Description
-------	------	-------------

	0	White
	96	Biscuit
	47	Almond

USA/Canada: 1-800-4KOHLER (1-800-456-4537)

Kohler Co. reserves the right to make revisions without notice to product specifications.

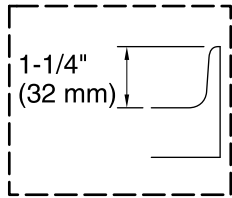
For the most current Specification Sheet, go to [www.kohler.com](http://www.kohler.com).

12-1-2017 04:58

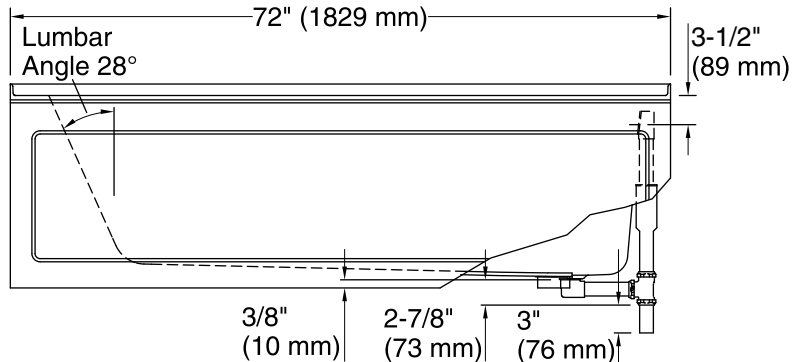
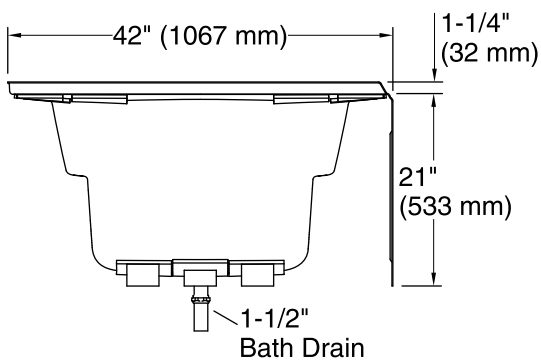
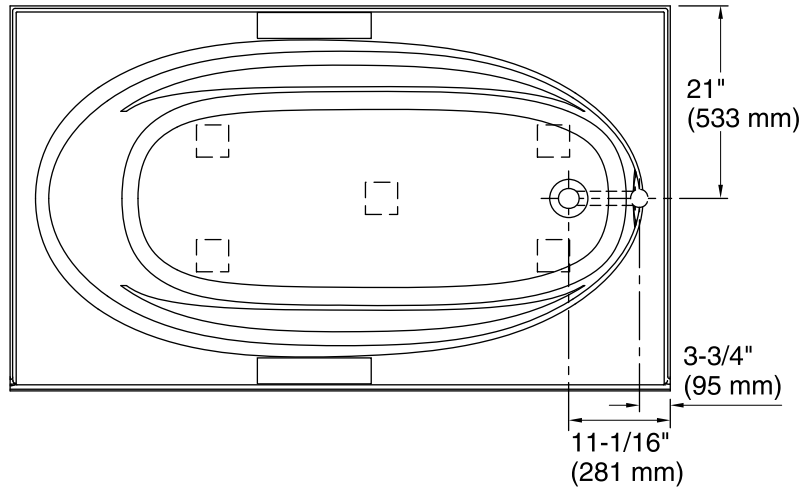
THE BOLD LOOK  
OF **KOHLER**®

No change in measurements if connected with drain illustrated. (K-11677)

 Recommended Faucet Location



**Tile Flange Detail**



### Technical Information

All product dimensions are nominal.

Installation:	3-Wall Alcove
Drain location:	Right
Basin area, bottom:	55" x 23-1/4" (1397 mm x 591 mm)
Basin area, top:	64" x 32" (1626 mm x 813 mm)
Weight:	100 lbs (45.4 kg)
Minimum floor load:	37 lbs/ft <sup>2</sup> (180.6 kg/m <sup>2</sup> )
Water depth:	15" (381 mm)
Water capacity:	78.5 gal (297.2 L)
Minimum flat for door:	3-1/16" (78 mm)

### Notes

Measure your actual product for rough-in details.

Install this product according to the installation instructions.

The hot water supply should be 70% of the capacity of the bath or greater. Installations will vary.

If installing a rim-mount faucet, make sure there is no interference above or below the deck before drilling any holes.