

## Features

- A single handle controls both on/off activation and temperature setting.
- Pressure-balancing diaphragm technology maintains outlet temperature within +/-3°F during water pressure fluctuations.
- Antiscald protection.
- Includes faceplate with ADA-compliant metal level handle.
- Includes 6-1/16" (154 mm) diverter bath spout with slip-fit connection.
- Includes single-function 2.5 gpm (9.5 lpm) showerhead.
- MasterClean™ sprayface features an easy-to-clean surface that withstands mineral buildup.
- Includes shower arm and flange.
- Coordinates with other products in the Riff collection.

## Material

- Premium material construction with metal handle ensures reliability and durability.
- KOHLER finishes resist corrosion and tarnishing.

## Installation

- Requires Rite-Temp® pressure-balancing valve (sold separately).

## Required Products/Accessories

K-8304 Series Rite-Temp® Valve & Cartridge Kits

or

K-8300 Series Rite-Temp® Valve Body Rough-ins

K-8305 Series Rite-Temp® Cartridges

## Adapters, Rough-in and Extension Kits

10350 Range: 3-1/2" (89 mm) - 4-1/4" (108 mm)

## Recommended Products/Accessories

K-23723 Faucet cleaner

## Optional Products/Accessories

- K-10350 Deep rough-in kit
- K-10351 Test cap for K-8300 Series valve bodies
- 1307346 Retro mixer cap for K-304 Rite-Temp valve
- 1362395 Retro mixer cap for K-2971 HiFlow Rite-Temp valve



## Codes/Standards

ASME A112.18.1/CSA B125.1






DOE - Energy Policy Act 1992

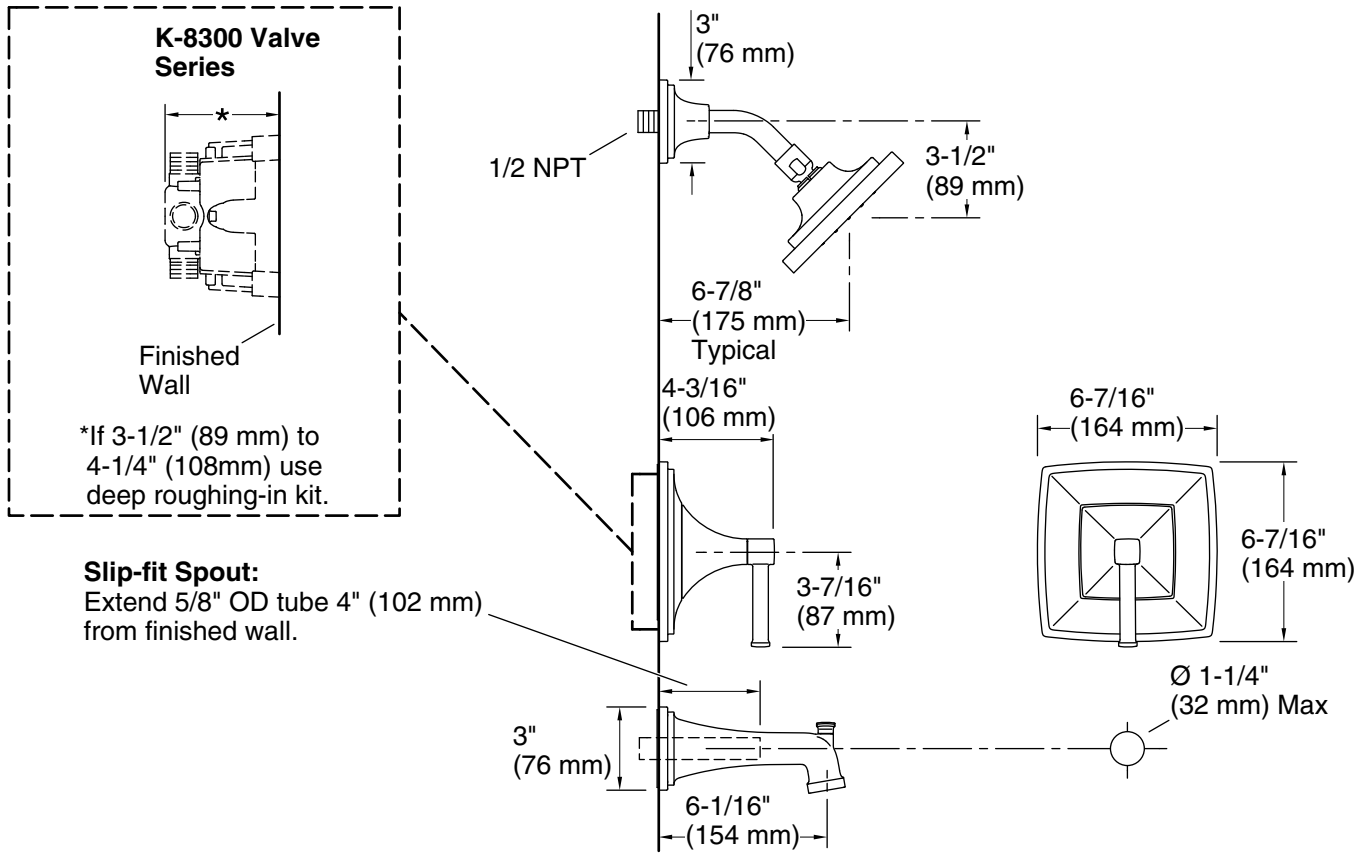
## KOHLER® Faucet Lifetime Limited Warranty

See website for detailed warranty information.

## Available Colors/Finishes

*Color tiles intended for reference only.*

Color	Code	Description
	CP	Polished Chrome
	SN	Vibrant® Polished Nickel
	BN	Vibrant® Brushed Nickel
	BL	Matte Black
	2MB	Vibrant® Brushed Moderne Brass



### Technical Information

All product dimensions are nominal.

Drain included: No

### Spout:

Spout reach: 6-1/16" (154 mm)

### Showerhead/Body Spray:

Rated maximum flow: 2.5 gal/min (9.5 l/min)

Pressure: 45 psi (3.1 bar)

### Notes

Install this product according to the installation instructions.