

Features

- Single-function 2.5 gpm (9.5 lpm) showerhead
- MasterClean™ sprayface features an easy-to-clean surface that withstands mineral buildup and maximizes spray performance
- A single handle controls both on/off activation and temperature setting
- 6-3/8" (162 mm) non-diverter bath spout with slip-fit connection
- Box includes: Showerhead, faceplate with lever handle and diverter, shower arm with flange, bath spout
- Requires valve (sold separately)
- Coordinates with other products in the Buckley collection

Material

- Premium material construction with metal handle ensures reliability and durability
- KOHLER® finishes resist corrosion and tarnishing

Required Products/Accessories

For wall-mount installation
K-11748 Series Rite-Temp® Valves (Qty 2)

Included Components

K-35936 Wall-mount bath spout
K-35948-Y Single-function showerhead, 2.5 gpm
K-T35942-4 Rite-Temp® valve trim with diverter



Codes/Standards

ASME A112.18.1/CSA B125.1
DOE - Energy Policy Act 1992
IAPMO Certification

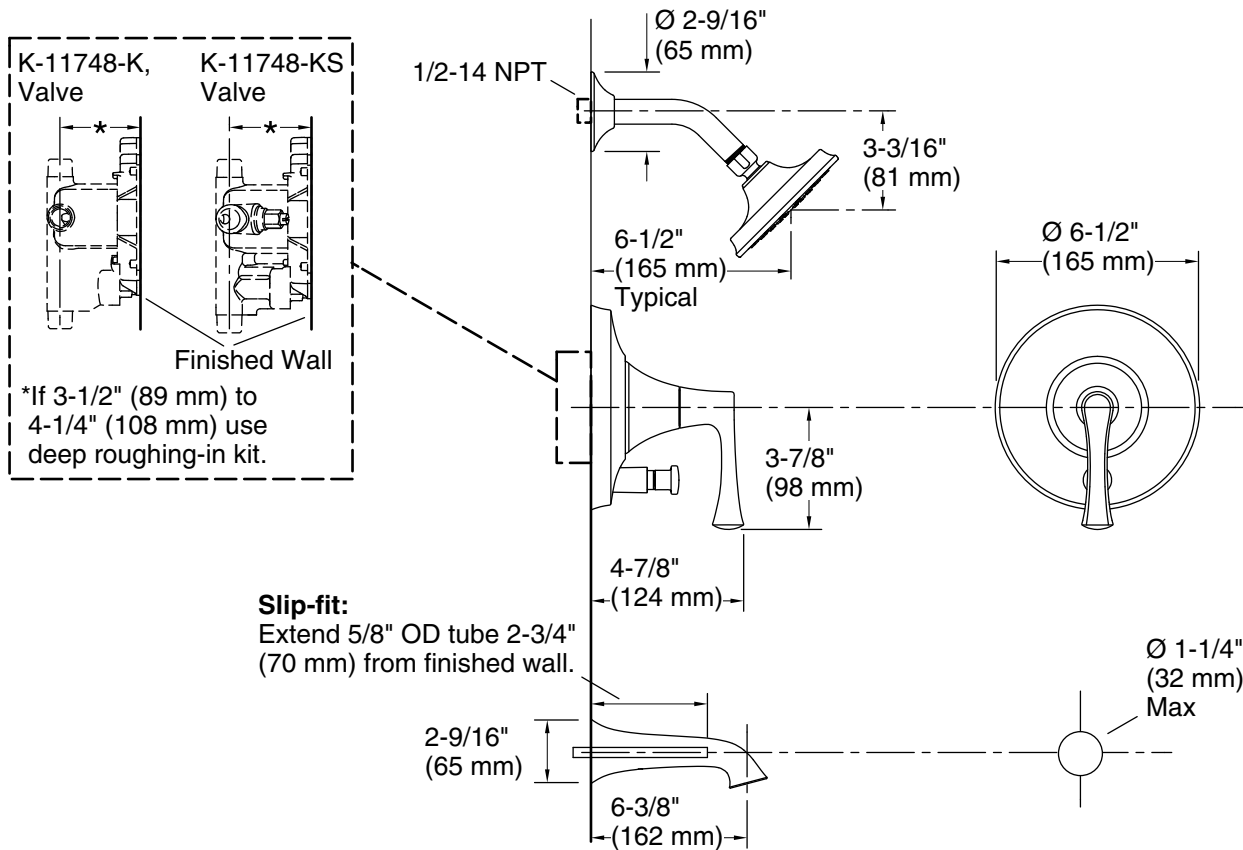
KOHLER® Faucet Lifetime Limited Warranty

See website for detailed warranty information.

Available Colors/Finishes

Color tiles intended for reference only.

Color	Code	Description
	CP	Polished Chrome
	BN	Vibrant® Brushed Nickel
	BL	Matte Black



Technical Information

All product dimensions are nominal.

Drain included: No

Spout:

Spout reach: 6-3/8" (163 mm)

Showerhead/Body Spray:

Rated maximum flow: 2.5 gal/min (9.5 l/min)

Notes

Install this product according to the installation guide.

Install straight pipe or tube drop of 7" (178 mm) to 18" (457 mm) with single elbow between the valve and the wall-mount spout.